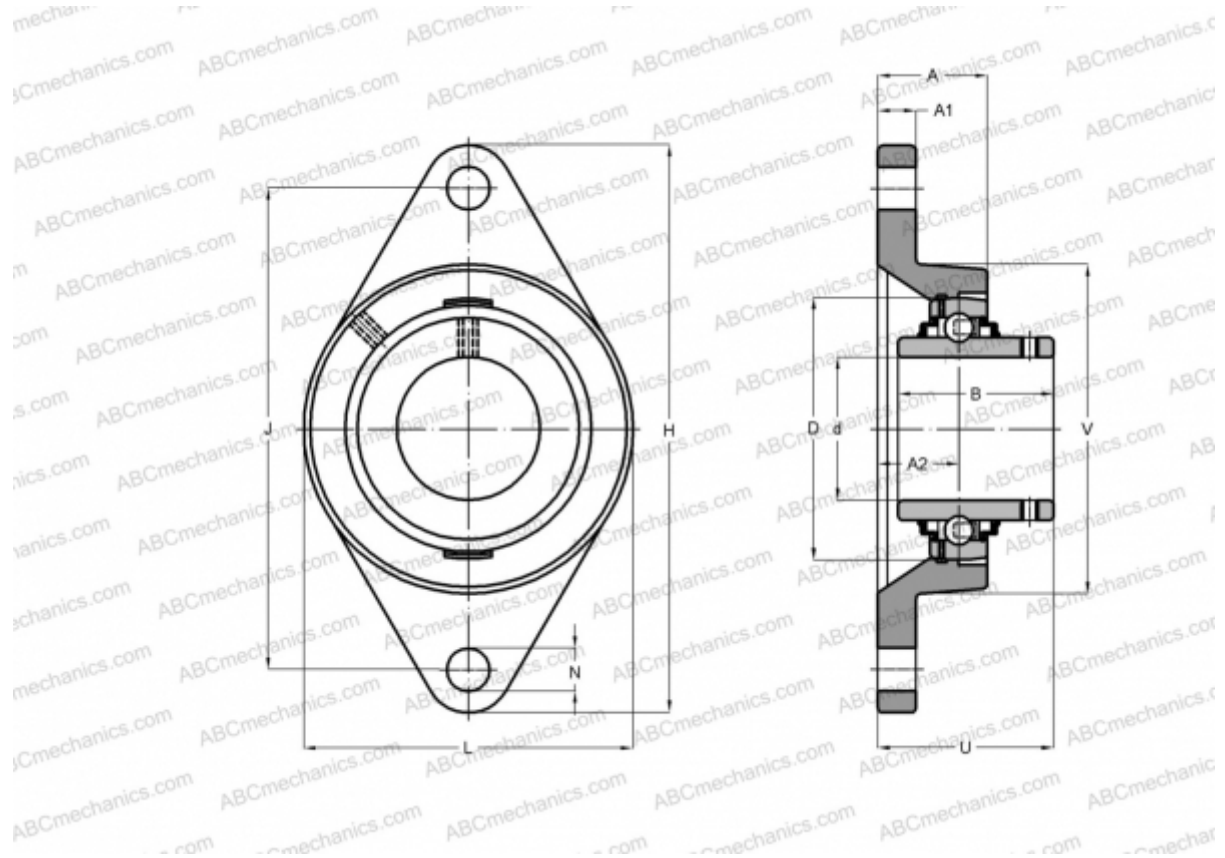


UCFL X05 ASAHI

Ball bearing units

TYPE: Housing units, Two-bolt flanged housing units, Cast iron housing, Radial insert ball bearing with grub screws in inner ring, With inner ring extended on both sides, massive bearing units, medium duty



Technical specification

DIMENSIONS, MM

d	25,000
D	62,000
B	38,100
L	83,000
H	141,000
A	30,000
J	117,000
A1	13,000
A2	15,900
N	12,000
U	40,200

WEIGHT, KG 1,000

Bearing UC X05

Housing FL X05

MANUFACTURER

[ASAHI](#)

INTERCHANGE

ABC	UCFL X05
SLB	UCFL X05
FYH	UCFL X05
NTN	UCFL X05 D1