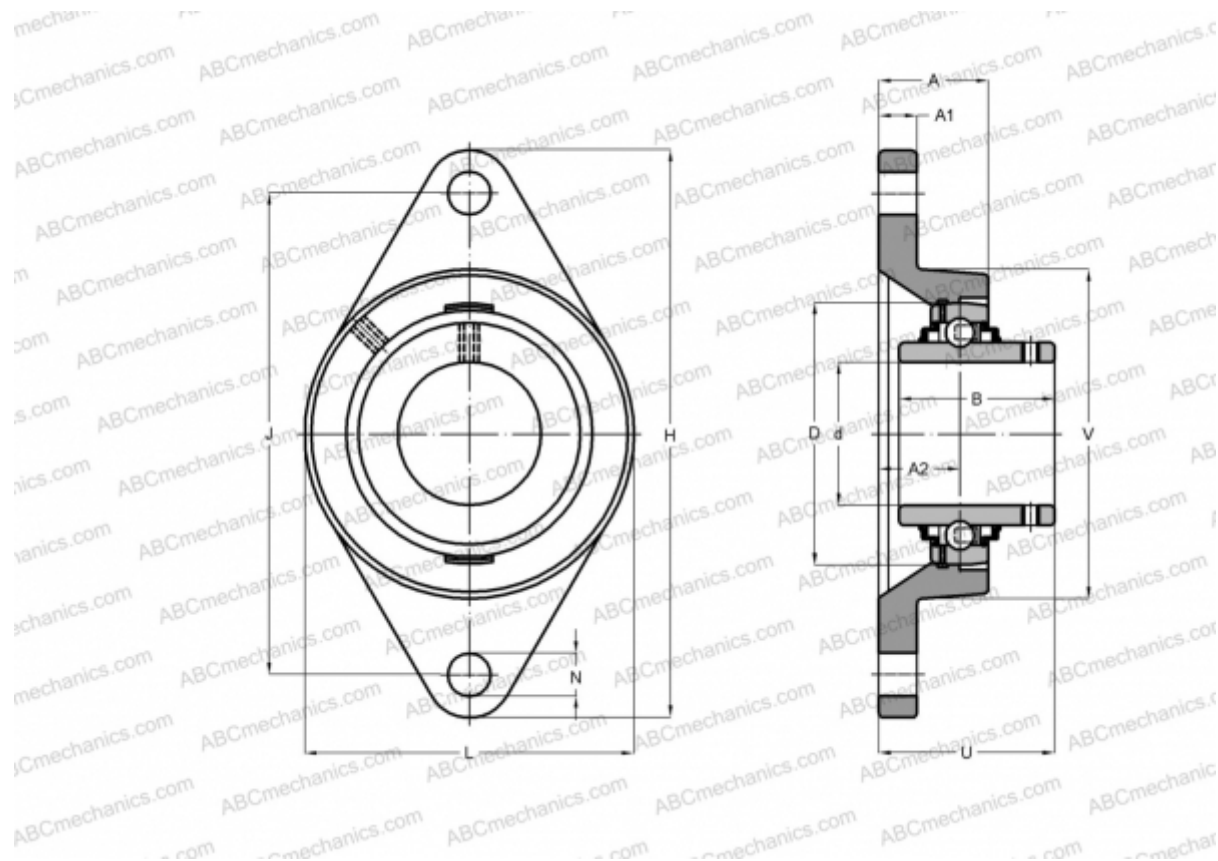


## UCFL X05 FYH

Ball bearing units

TYPE: Housing units, Two-bolt flanged housing units, Cast iron housing, Radial insert ball bearing with grub screws in inner ring, With inner ring extended on both sides, massive bearing units, medium duty



### Technical specification

#### DIMENSIONS, MM

d	25,000
D	62,000
B	38,100
L	83,000
H	141,000
A	30,000
J	117,000
A1	13,000
A2	15,900
N	12,000
U	40,200

**WEIGHT, KG** 1,000

Bearing UC X05

Housing FL X05

#### MANUFACTURER

[FYH](#)

#### INTERCHANGE

ABC	<a href="#">UCFL X05</a>
ASAHI	<a href="#">UCFL X05</a>
SLB	<a href="#">UCFL X05</a>
NTN	<a href="#">UCFL X05 D1</a>