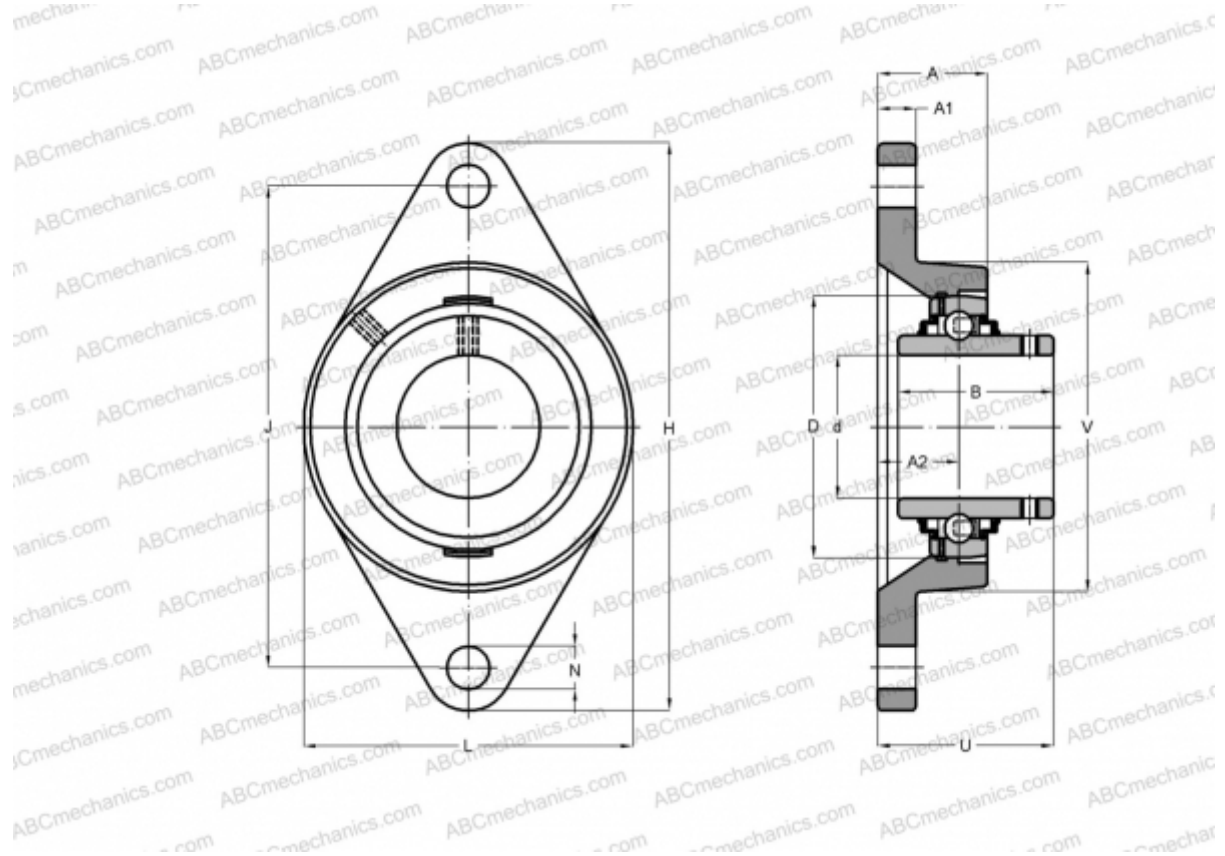


UCFL X05 D1 NTN

Ball bearing units

TYPE: Housing units, Two-bolt flanged housing units, Cast iron housing, Radial insert ball bearing with grub screws in inner ring, With inner ring extended on both sides, massive bearing units, medium duty



Technical specification

DIMENSIONS, MM

| | |
|----|---------|
| d | 25,000 |
| D | 62,000 |
| B | 38,100 |
| L | 83,000 |
| H | 141,000 |
| A | 30,000 |
| J | 117,000 |
| A1 | 13,000 |
| A2 | 15,900 |
| N | 12,000 |
| U | 40,200 |

WEIGHT, KG 1,000

Bearing UC X05

Housing

FL X05

MANUFACTURER

[NTN](#)

INTERCHANGE

| | |
|-------|--------------------------|
| ABC | UCFL X05 |
| ASAHI | UCFL X05 |
| SLB | UCFL X05 |
| FYH | UCFL X05 |