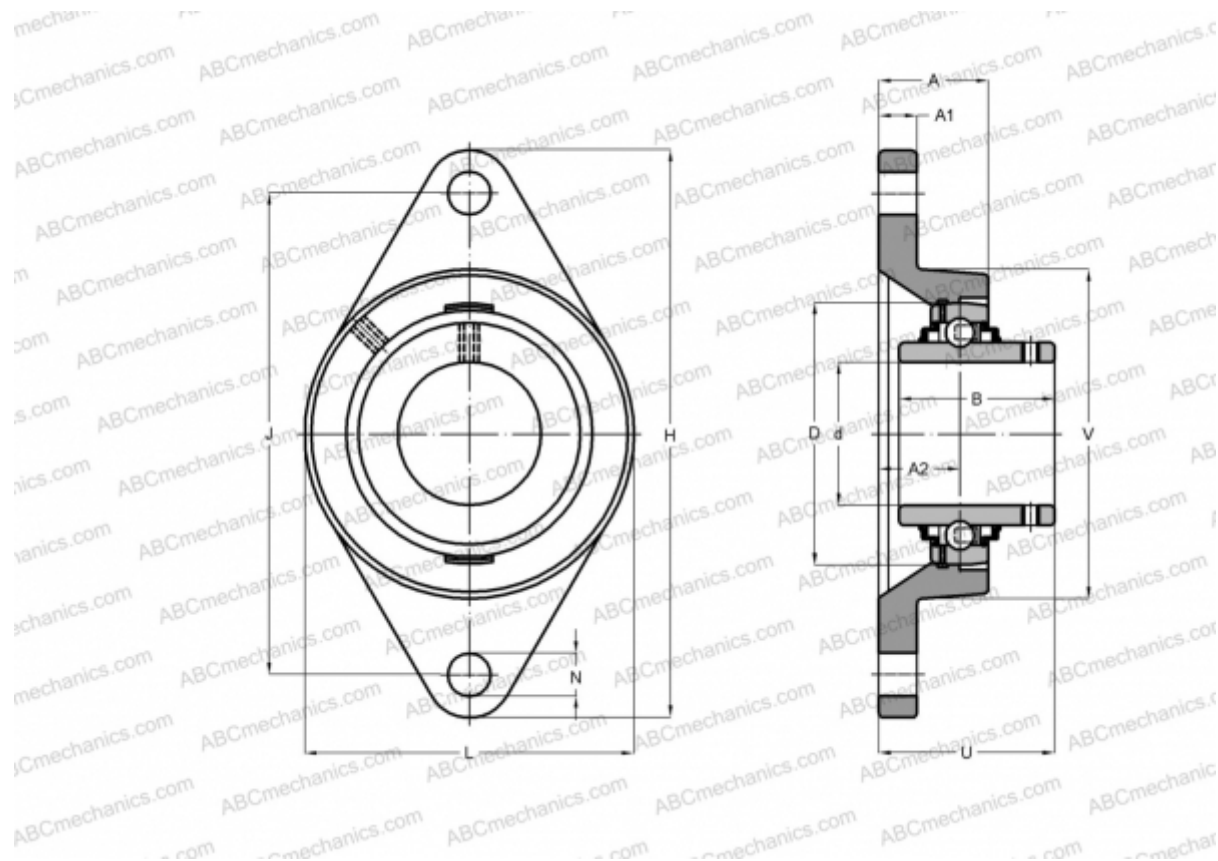


## UCFL X06 ABC

Ball bearing units

TYPE: Housing units, Two-bolt flanged housing units, Cast iron housing, Radial insert ball bearing with grub screws in inner ring, With inner ring extended on both sides, massive bearing units, medium duty



### Technical specification

#### DIMENSIONS, MM

d	30,000
D	72,000
B	42,900
L	95,000
H	156,000
A	34,000
J	130,000
A1	14,000
A2	17,500
N	16,000
U	44,400

**WEIGHT, KG** 1,400

Bearing UC X06

Housing FL X06

#### MANUFACTURER

[ABC](#)

#### INTERCHANGE

ASAHI	<a href="#">UCFL X06</a>
SLB	<a href="#">UCFL X06</a>
FYH	<a href="#">UCFL X06</a>
NTN	<a href="#">UCFL X06 D1</a>