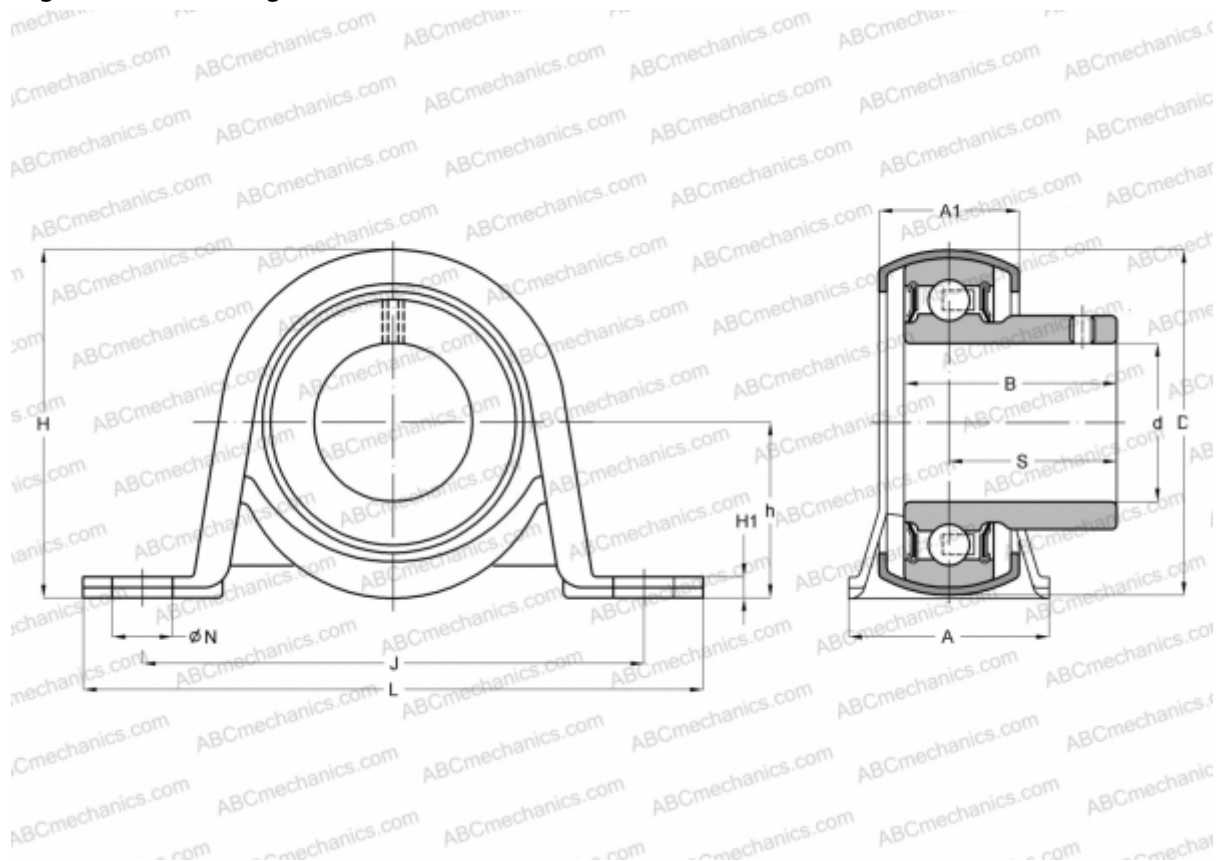


## SBPP 201 F FYH

Ball bearing units

TYPE: Housing units, Plummer block, Sheet steel housing, Radial insert ball bearing with grub screws in inner ring, With inner ring extended at one side



### Technical specification

#### DIMENSIONS, MM

d	12,000
D	40,000
B	22,000
L	85,700
H	43,200
A	25,400
J	68,000
A1	15,900
H1	2,400
N	9,000
S	16,000
h	22,200

**WEIGHT, KG** 0,200

Bearing	US201
Housing	PP203

**MANUFACTURER** [FYH](#)

#### INTERCHANGE

ABC	<a href="#">USPP201</a>
ASAHI	<a href="#">BPP 1</a>
SNR	<a href="#">USPP201</a>
INA	<a href="#">PBY12</a>
SLB	<a href="#">SBPP201</a>
NTN	<a href="#">ASPP 201</a>