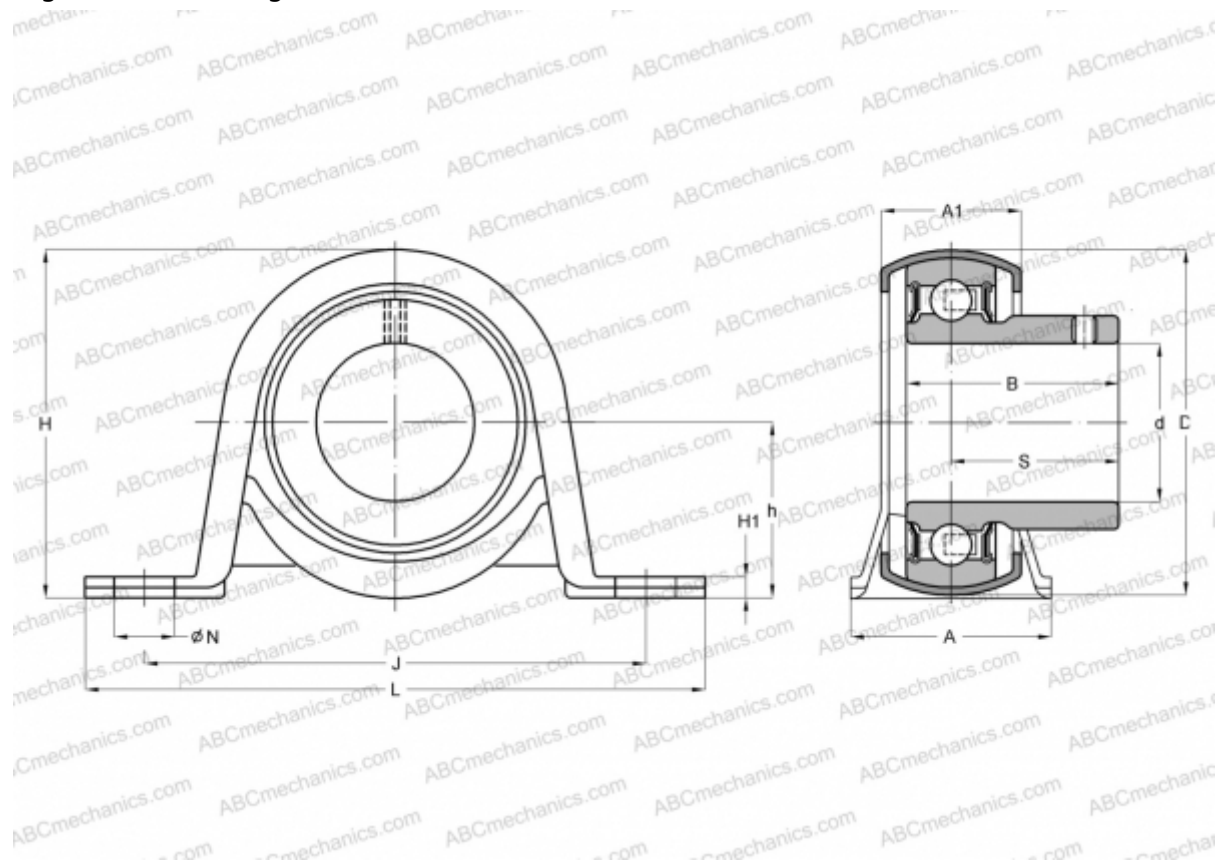


ASPP 201 NTN

Ball bearing units

TYPE: Housing units, Plummer block, Sheet steel housing, Radial insert ball bearing with grub screws in inner ring, With inner ring extended at one side



Technical specification

DIMENSIONS, MM

d	12,000
D	40,000
B	22,000
L	85,700
H	43,200
A	25,400
J	68,000
A1	15,900
H1	2,400
N	9,000
S	16,000
h	22,200

WEIGHT, KG

0,200

Bearing	US201
Housing	PP203

MANUFACTURER

[NTN](#)

INTERCHANGE

ABC	USPP201
ASAHI	BPP 1
SNR	USPP201
INA	PBY12
SLB	SBPP201
FYH	SBPP 201 F