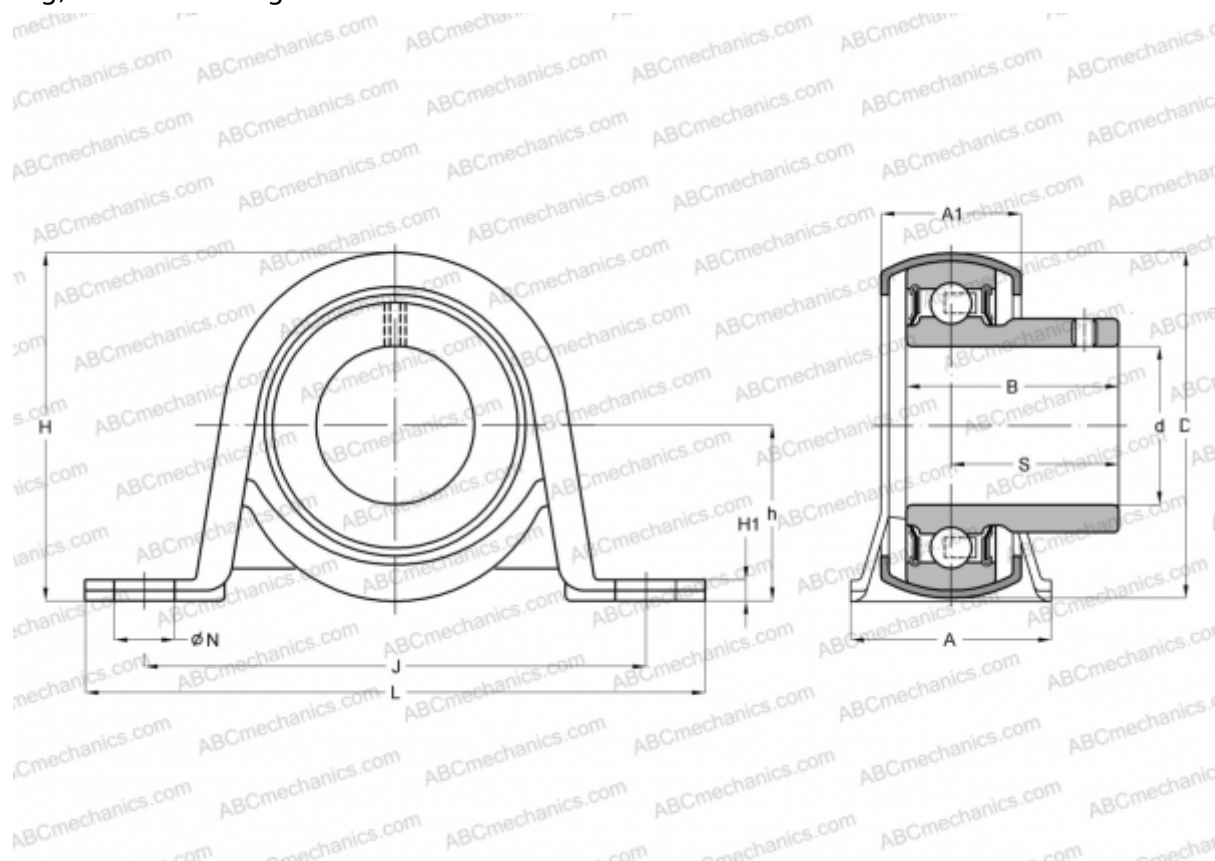


SBPP202 SLB

Ball bearing units

TYPE: Housing units, Plummer block, Sheet steel housing, Radial insert ball bearing with grub screws in inner ring, With inner ring extended at one side



Technical specification

DIMENSIONS, MM

d	15,000
D	40,000
B	22,000
L	85,700
H	43,200
A	25,400
J	68,000
A1	15,900
H1	2,400
N	9,000
S	16,000
h	22,200

WEIGHT, KG

0,200

Bearing	US202
Housing	PP203

MANUFACTURER

[SLB](#)

INTERCHANGE

ABC	USPP202
ASAHI	BPP 2
INA	PBY15
SNR	USPP202
FYH	SBPP202F
NTN	ASPP 202