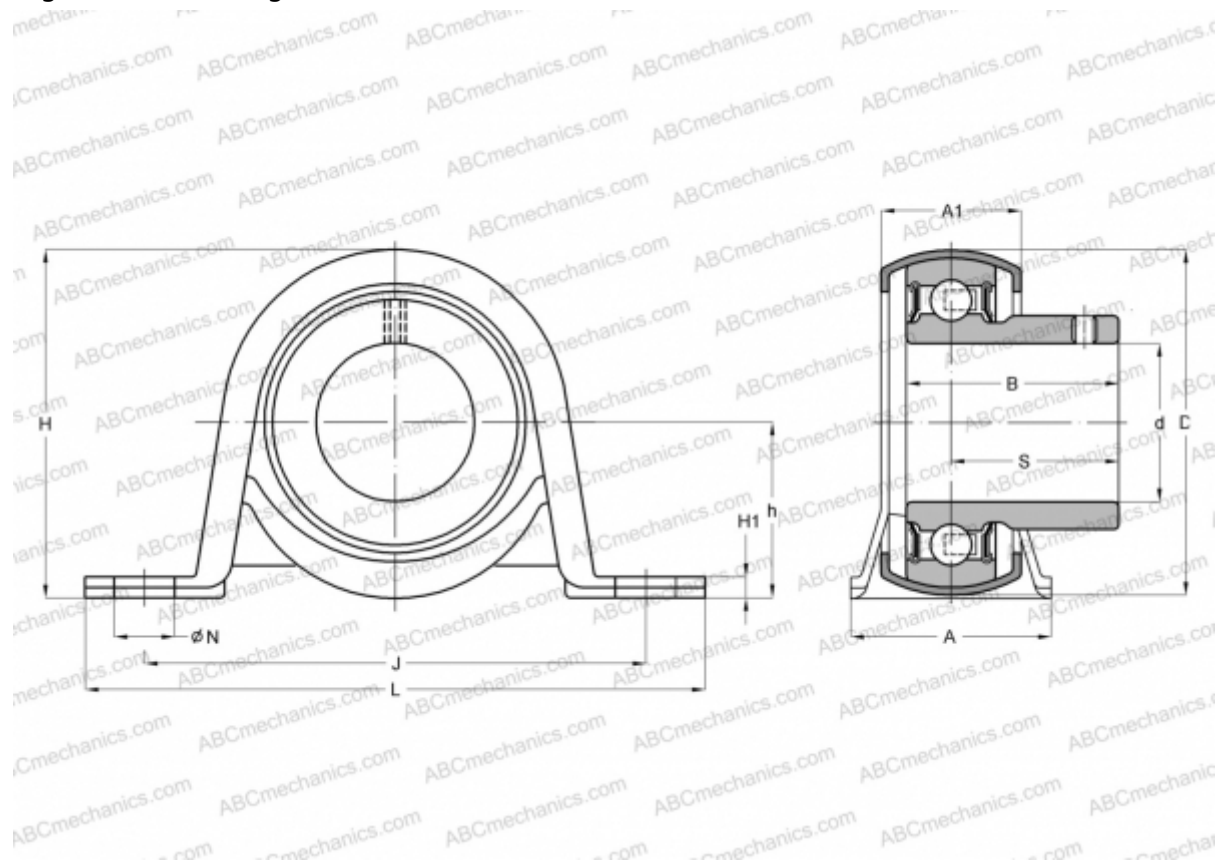


## ASPP 202 NTN

Ball bearing units

TYPE: Housing units, Plummer block, Sheet steel housing, Radial insert ball bearing with grub screws in inner ring, With inner ring extended at one side



### Technical specification

#### DIMENSIONS, MM

d	15,000
D	40,000
B	22,000
L	85,700
H	43,200
A	25,400
J	68,000
A1	15,900
H1	2,400
N	9,000
S	16,000
h	22,200

#### WEIGHT, KG

0,200

Bearing	US202
Housing	PP203

#### MANUFACTURER

[NTN](#)

#### INTERCHANGE

ABC	<a href="#">USPP202</a>
ASAHI	<a href="#">BPP 2</a>
INA	<a href="#">PBY15</a>
SNR	<a href="#">USPP202</a>
SLB	<a href="#">SBPP202</a>
FYH	<a href="#">SBPP202F</a>