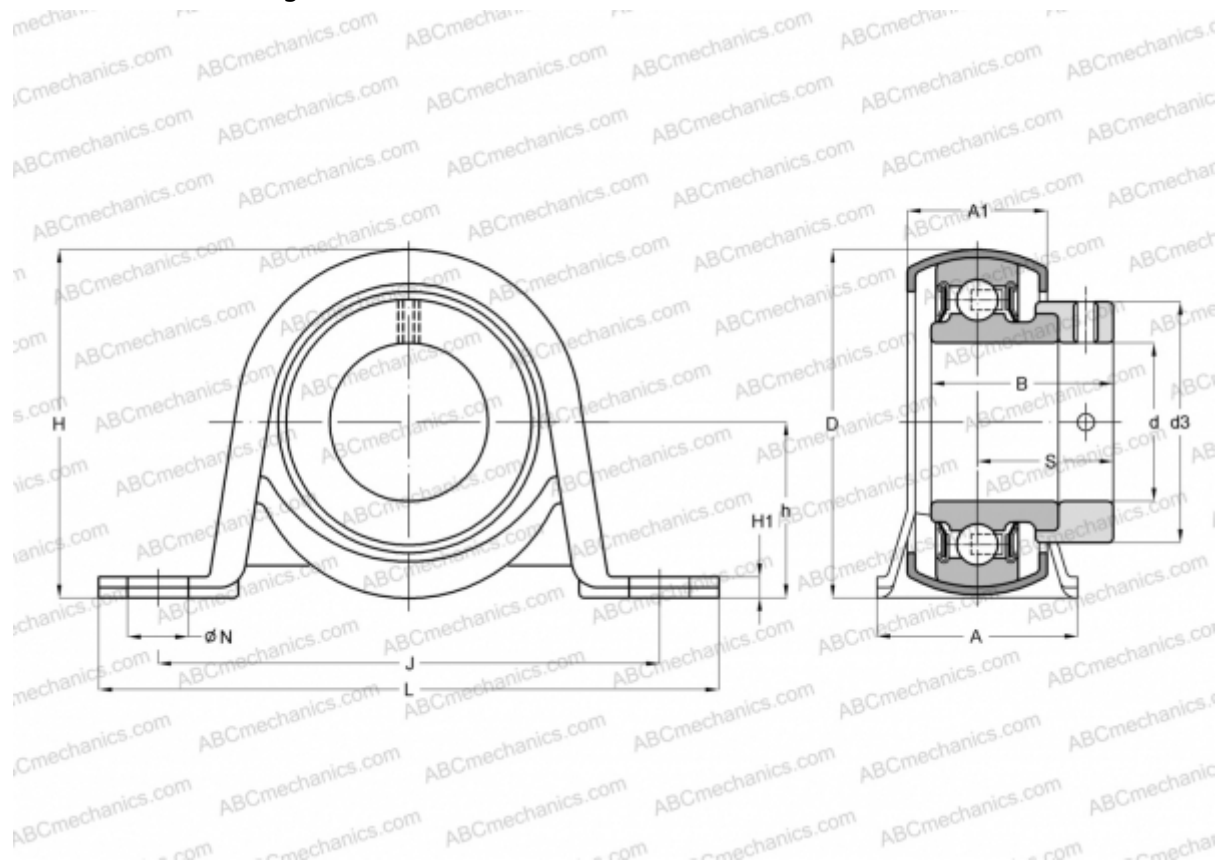


AELPP 202 W3 NTN

Ball bearing units

TYPE: Housing units, Plummer block, Sheet steel housing, Radial insert ball bearing with eccentric locking collar, With inner ring extended at one side



Technical specification

DIMENSIONS, MM

d	15,000
D	40,000
B	28,600
L	85,700
H	43,200
A	25,400
J	68,000
A1	15,900
H1	2,400
N	9,000
S	22,100
d3	28,600
h	22,200

WEIGHT, KG 0,200

Bearing	ES202
Housing	PP203

MANUFACTURER

[NTN](#)

INTERCHANGE

ABC	ESPP202
SKF	P 15 FM
INA	PB15
SNR	ESPP202
SLB	SAPP 202
FYH	SAPP 202 F