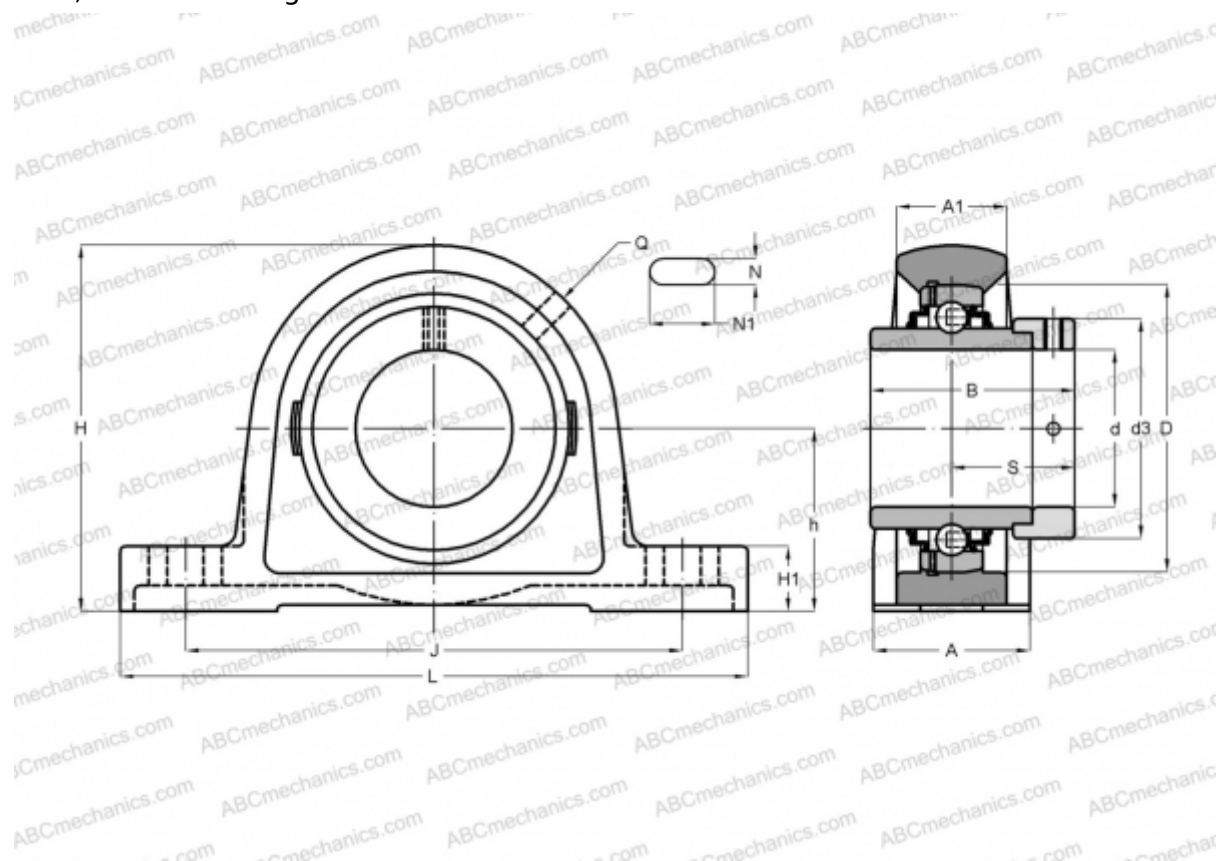


UELP 203 SLB

Ball bearing units

TYPE: Housing units, Plummer block, Cast iron housing, Radial insert ball bearing with eccentric locking collar, With inner ring extended on both sides



Technical specification

DIMENSIONS, MM

d	17,000
D	40,000
B	37,400
L	125,000
H	57,000
A	30,000
J	95,000
A1	18,000
H1	10,000
N	11,000
N1	19,000
S	23,400
d3	28,000
h	30,200
Q	M6

WEIGHT, KG

0,500

MANUFACTURER

[SLB](#)

INTERCHANGE

ABC	RASE17
SNR	EXPE203
INA	RASE17
FYH	NAP 203