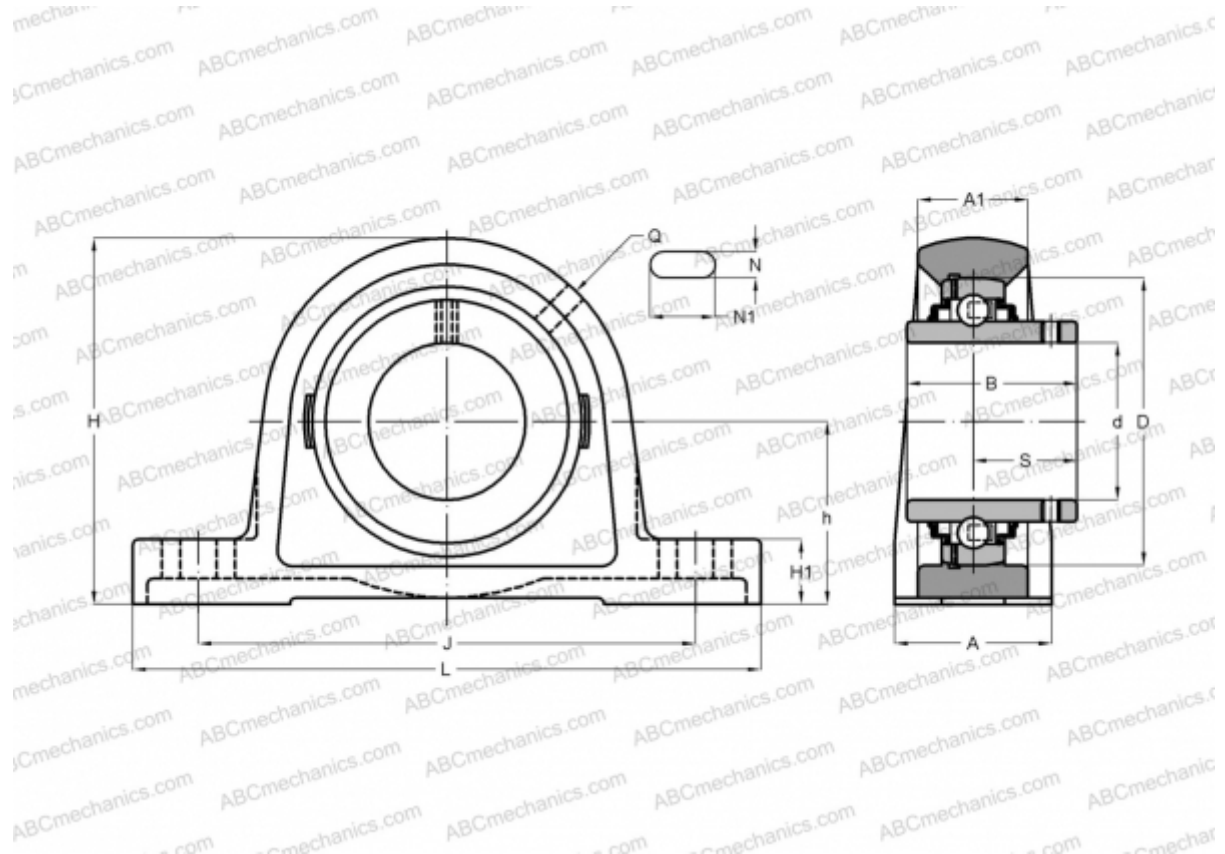


## UCP 308 FYH

Ball bearing units

TYPE: Housing units, Plummer block, Cast iron housing, Radial insert ball bearing with grub screws in inner ring, With inner ring extended on both sides, massive bearing units



### Technical specification

#### DIMENSIONS, MM

d	40,000
D	90,000
L	220,000
H	116,000
A	42,000
J	170,000
A1	60,000
H1	22,000
N	17,000
N1	27,000
S	33,000
h	60,000
Q	M6x1

Bearing	UC308
Housing	P308

#### MANUFACTURER

[FYH](#)

#### INTERCHANGE

ABC	<a href="#">UCP308</a>
ASAHI	<a href="#">UCP 308</a>
SNR	<a href="#">UCP308</a>
SLB	<a href="#">UCP 308</a>
NTN	<a href="#">UCP 308 D1</a>

**WEIGHT** 3,300