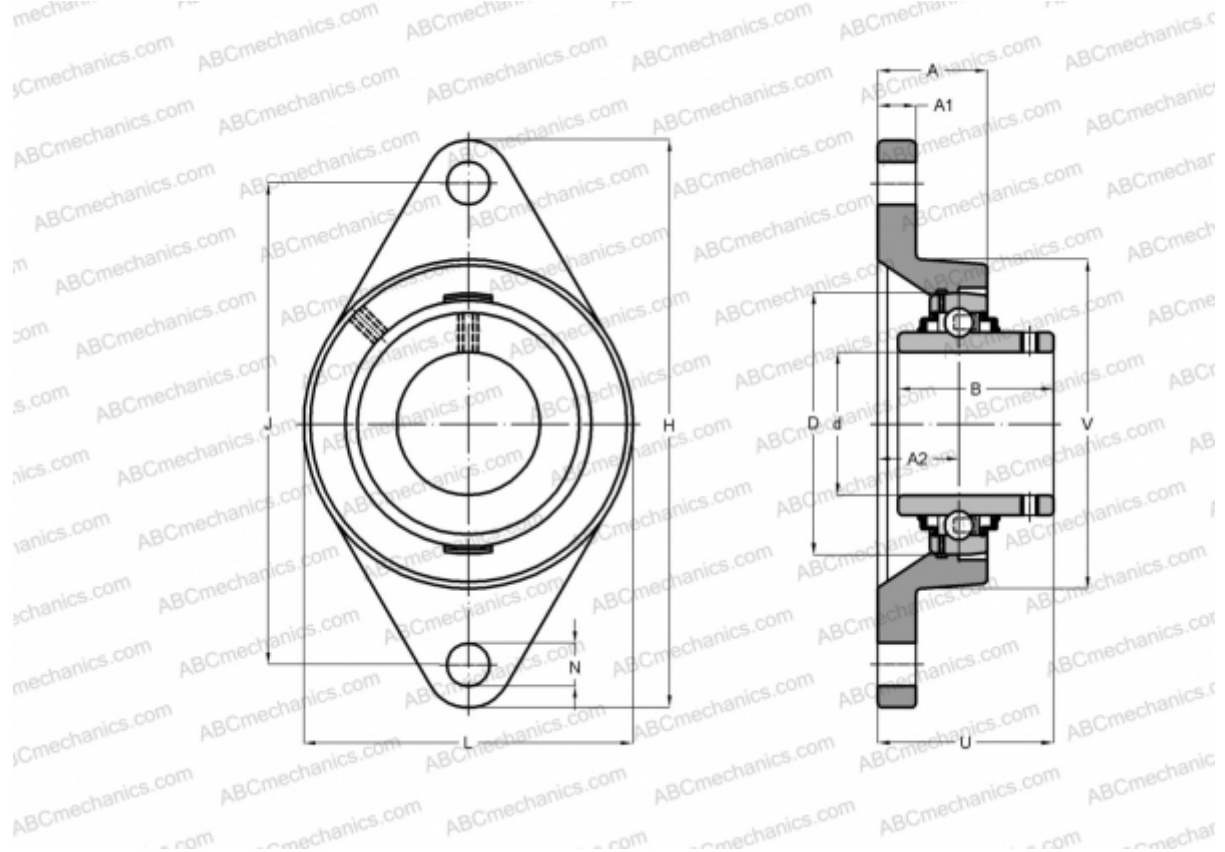


UCFL 201 FYH

Ball bearing units

TYPE: Housing units, Two-bolt flanged housing units, Cast iron housing, Radial insert ball bearing with grub screws in inner ring, With inner ring extended on both sides, massive bearing units



Technical specification

DIMENSIONS, MM

d	12,000
D	47,000
B	31,000
L	60,000
H	113,000
A	25,500
J	90,000
A1	11,000
A2	15,000
N	12,000
S	12,700
U	33,300
Q	M6x1

WEIGHT, KG 0,500

Bearing	UC201
Housing	FL204

MANUFACTURER

[FYH](#)

INTERCHANGE

ABC	UCFL201
ASAHI	UCFL 201
SNR	UCFL201
SLB	UCFL 201
NTN	UCFL 201 D1