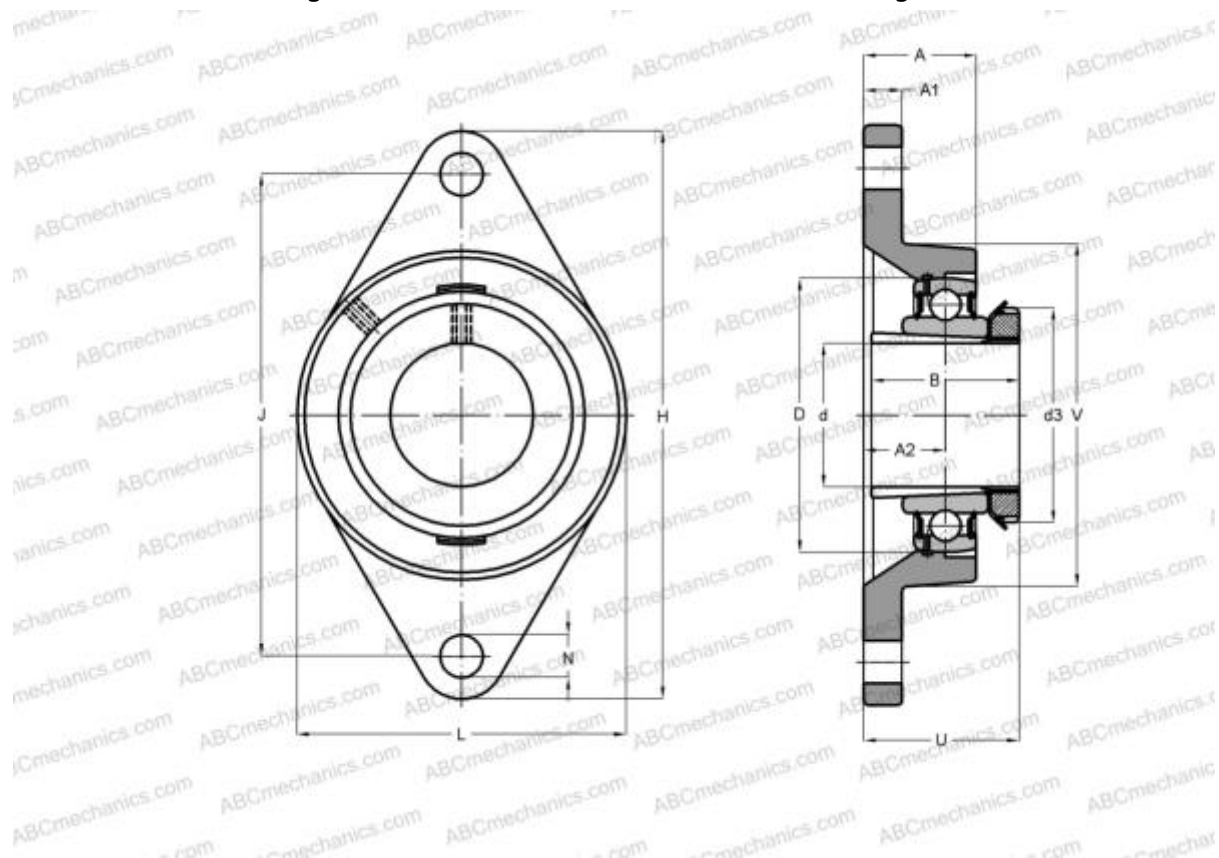


UKFL 206 SLB

Ball bearing units

TYPE: Housing units, Two-bolt flanged housing units, Cast iron housing, Radial insert ball bearing with adapter sleeve, With inner ring extended on both sides, massive bearing units



Technical specification

DIMENSIONS, MM

d	25,000
D	62,000
B	38,000
L	80,000
H	148,000
A	31,000
J	117,000
A1	13,000
A2	18,000
N	16,000
d3	45,000
U	38,500
Q	M6x1

Bearing	UK206 +
Housing	FL206
Adapter sleeve	H2306

MANUFACTURER

[SLB](#)

INTERCHANGE

ABC	UKFL206H
SNR	UKFL206H
FYH	UKFL 206
NTN	UKFL 206 D1

WEIGHT, KG

1,000