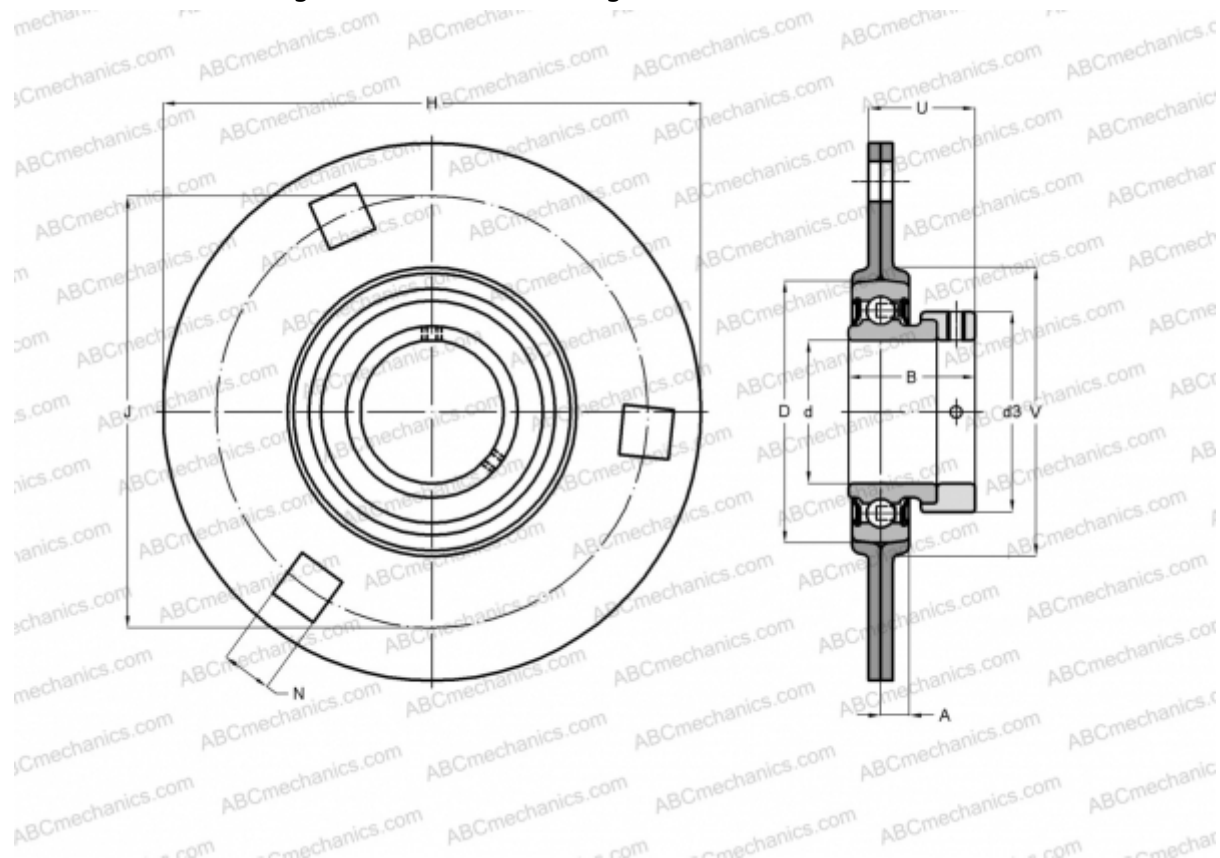


## SAPF 201 SLB

Ball bearing units

TYPE: Housing units, Three/four-bolt flanged housing units, Sheet steel housing, Radial insert ball bearing with eccentric locking collar, With inner ring extended at one side



### Technical specification

#### DIMENSIONS, MM

d	12,000
D	40,000
B	28,600
H	81,000
A	6,700
J	63,500
N	7,100
d3	28,600
V	49,000

#### WEIGHT, KG

Bearing	ES201
Housing	PF203

#### MANUFACTURER

[SLB](#)

#### INTERCHANGE

ABC	<a href="#">ESPF201</a>
INA	<a href="#">RA12</a>
SNR	<a href="#">ESPF201</a>
FYH	<a href="#">SAPF 201</a>
NTN	<a href="#">AELPF 201 W3</a>