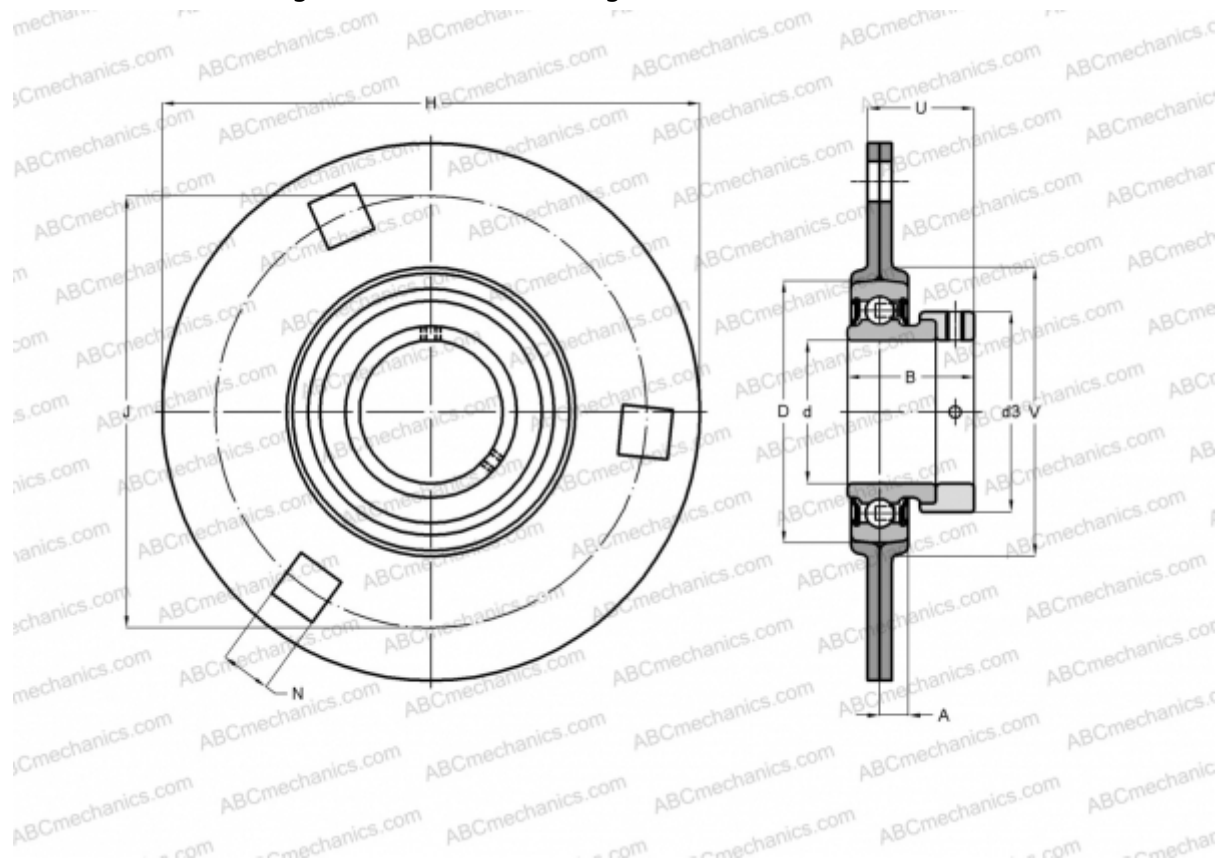


AELPF 201 W3 NTN

Ball bearing units

TYPE: Housing units, Three/four-bolt flanged housing units, Sheet steel housing, Radial insert ball bearing with eccentric locking collar, With inner ring extended at one side



Technical specification

DIMENSIONS, MM

d	12,000
D	40,000
B	28,600
H	81,000
A	6,700
J	63,500
N	7,100
d3	28,600
V	49,000

WEIGHT, KG

Bearing	ES201
Housing	PF203

MANUFACTURER

[NTN](#)

INTERCHANGE

ABC	ESPF201
INA	RA12
SNR	ESPF201
SLB	SAPF 201
FYH	SAPF 201