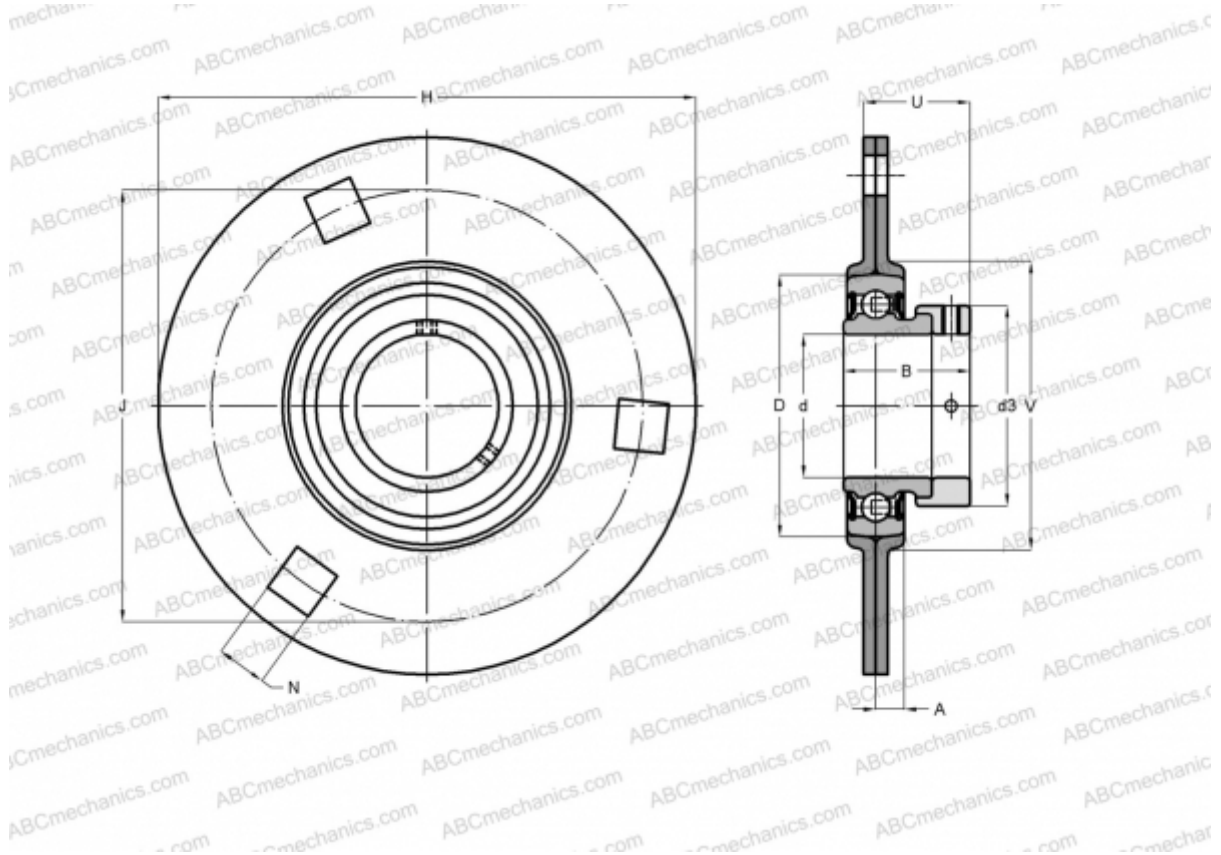


SAPF 202 SLB

Ball bearing units

TYPE: Housing units, Three/four-bolt flanged housing units, Sheet steel housing, Radial insert ball bearing with eccentric locking collar, With inner ring extended at one side



Technical specification

DIMENSIONS, MM

d	15,000
D	40,000
B	28,600
H	81,000
A	6,700
J	63,500
N	7,100
d3	28,600
V	49,000

WEIGHT, KG

Bearing	ES202
Housing	PF203

MANUFACTURER

[SLB](#)

INTERCHANGE

ABC	ESPF202
SKF	PF 15 FM
INA	RA15
SNR	ESPF202
FYH	SAPF 202
NTN	AELPF 202 W3