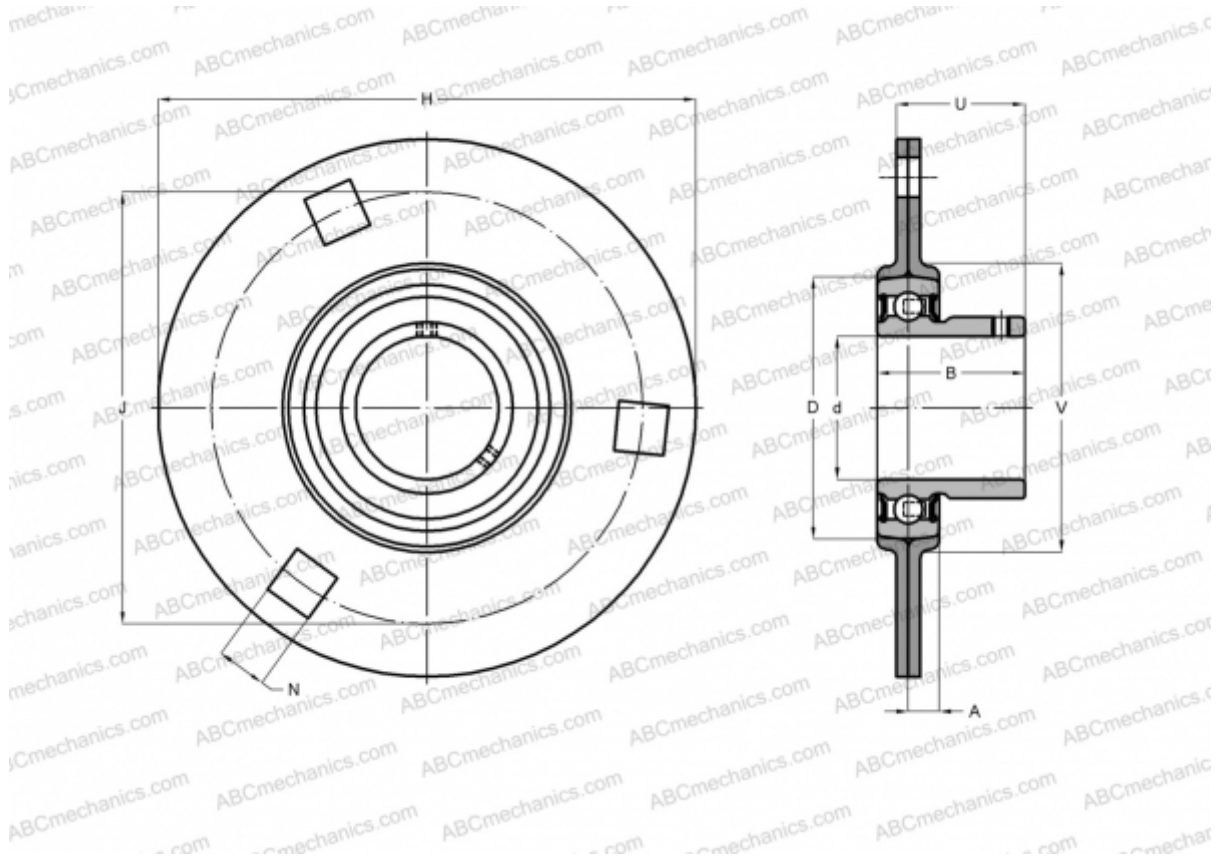


## SBPF 201 SLB

Ball bearing units

TYPE: Housing units, Three/four-bolt flanged housing units, Sheet steel housing, Radial insert ball bearing with grub screws in inner ring, With inner ring extended at one side



### Technical specification

#### DIMENSIONS, MM

d	12,000
D	40,000
B	22,000
H	81,000
A	6,700
J	63,500
N	7,100
V	49,000

#### WEIGHT, KG

Bearing	US201
Housing	PF203

#### MANUFACTURER

[SLB](#)

#### INTERCHANGE

ABC	<a href="#">USPF201</a>
ASAHI	<a href="#">BPF 1</a>
INA	<a href="#">RAY12</a>
SNR	<a href="#">USPF201</a>
FYH	<a href="#">SBPF 201</a>
NTN	<a href="#">ASPF 201</a>