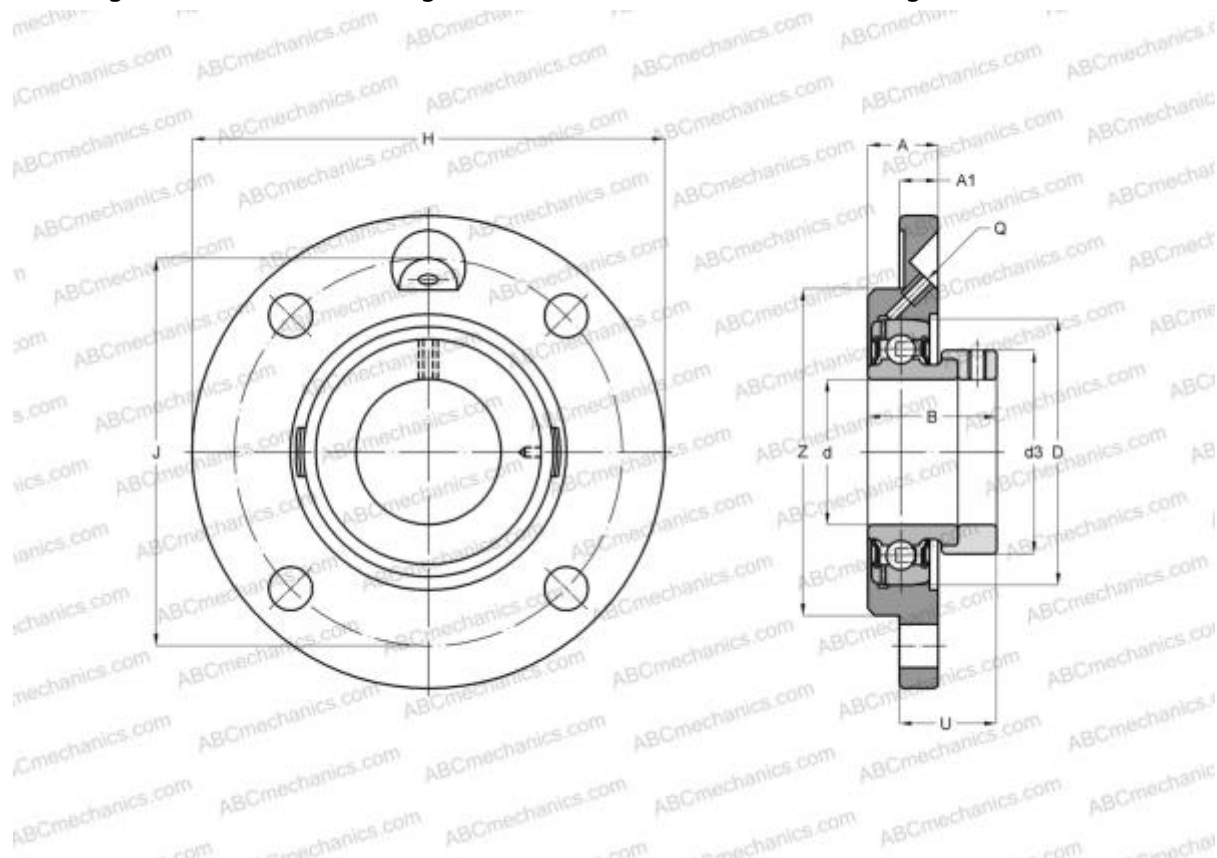


## SAFC 207 SLB

Ball bearing units

TYPE: Housing units, Four-bolt flanged housing units, Cast iron housing, Radial insert ball bearing with eccentric locking collar, With inner ring extended at one side, round flanged



### Technical specification

#### DIMENSIONS, MM

d	35,000
D	72,000
B	38,900
H	135,000
A	21,000
J	110,000
A1	10,000
N	11,500
d3	55,600
U	28,400
Z	90,000
Q	M6x1

#### WEIGHT, KG

1,300

Bearing	ES207
Housing	FCE207

#### MANUFACTURER

[SLB](#)

#### INTERCHANGE

ABC	<a href="#">ESFCE207</a>
INA	<a href="#">PME35-N</a>
SNR	<a href="#">ESFCE207</a>