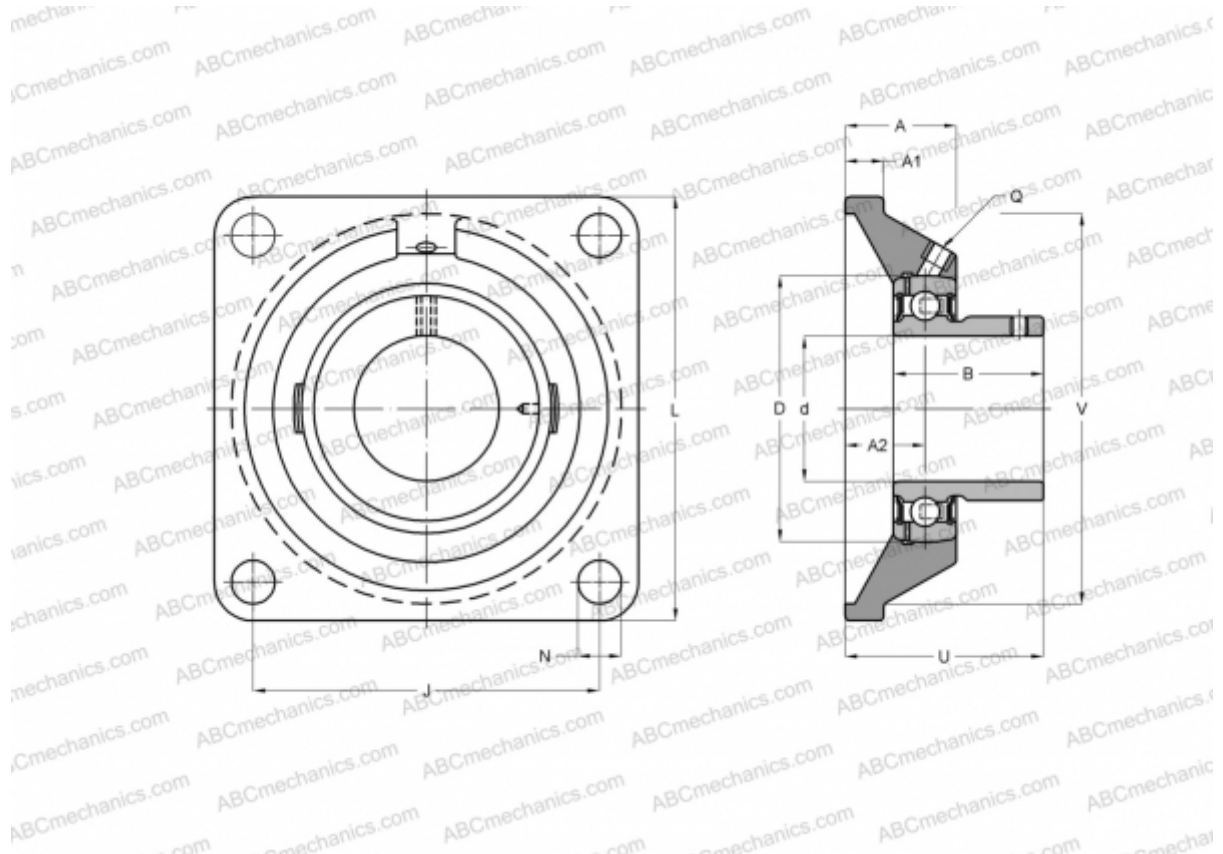


SBF 204 SLB

Ball bearing units

TYPE: Housing units, Four-bolt flanged housing units, Cast iron housing, Radial insert ball bearing with grub screws in inner ring, With inner ring extended at one side



Technical specification

DIMENSIONS, MM

d	20,000
D	47,000
B	25,000
L	86,000
A	25,500
J	64,000
A1	11,000
A2	15,000
N	12,000
U	33,000
Q	M6x1

WEIGHT, KG 0,600

Bearing US204

Housing F204

MANUFACTURER [SLB](#)

INTERCHANGE

ABC	USF204
ASAHI	BF 204
SNR	USF204