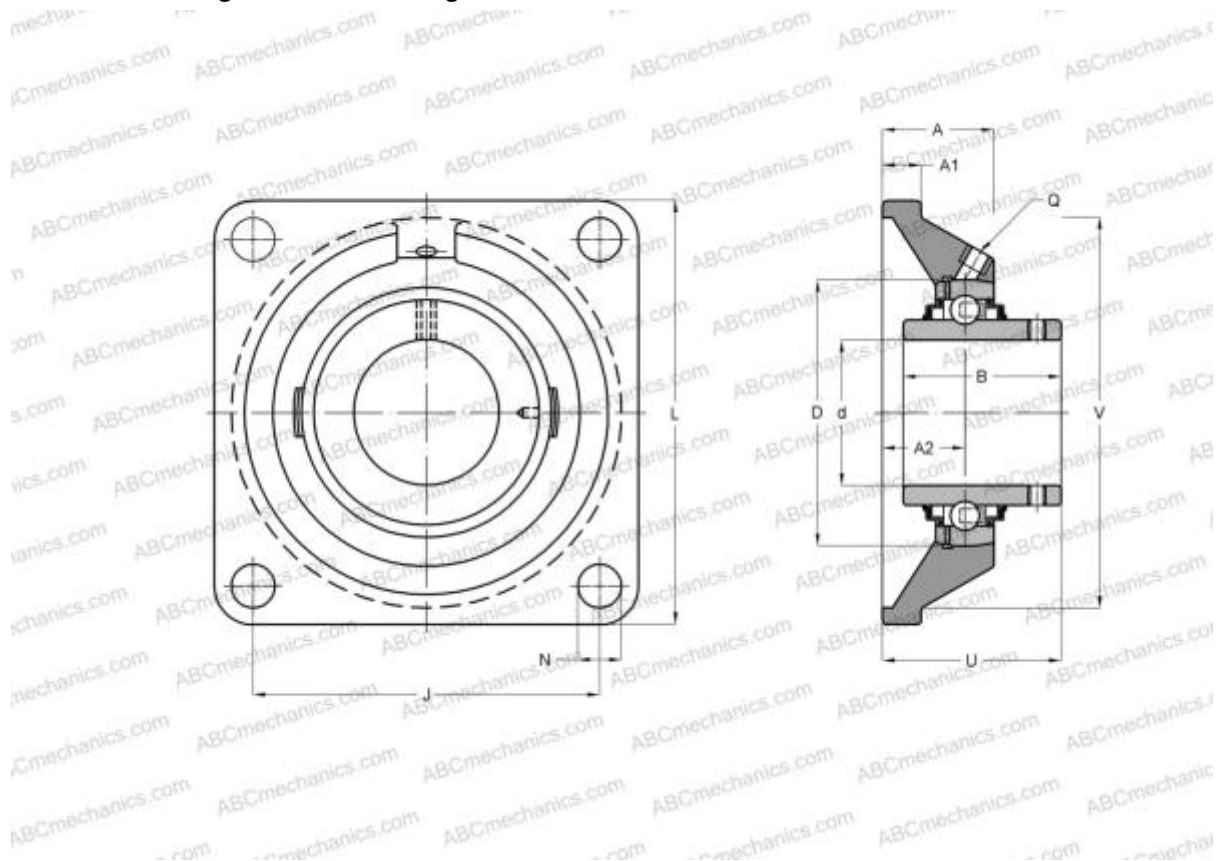


UCF 201 SLB

Ball bearing units

TYPE: Housing units, Four-bolt flanged housing units, Cast iron housing, Radial insert ball bearing with grub screws in inner ring, With inner ring extended on both sides



Technical specification

DIMENSIONS, MM

d	12,000
D	47,000
B	31,000
L	86,000
A	25,500
J	64,000
A1	11,000
A2	15,000
N	12,000
U	33,300
Q	M6x1

WEIGHT, KG	0,600
Bearing	UC201

Housing F204

MANUFACTURER [SLB](#)

INTERCHANGE

ABC	UCF201
ASAHI	UCF 201
SNR	UCF201
FYH	UCF201
NTN	UCF 201 D1