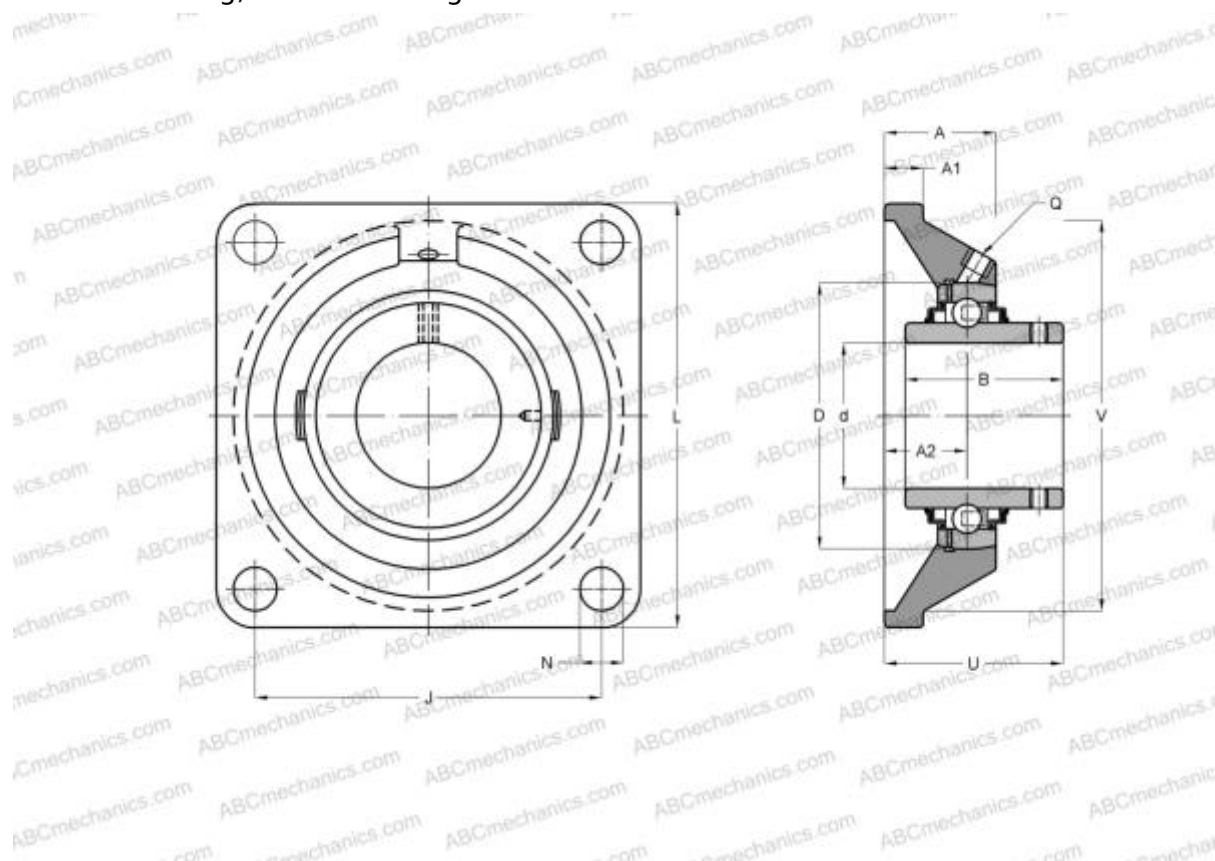


## UCF 202 SLB

Ball bearing units

TYPE: Housing units, Four-bolt flanged housing units, Cast iron housing, Radial insert ball bearing with grub screws in inner ring, With inner ring extended on both sides



### Technical specification

#### DIMENSIONS, MM

d	15,000
D	47,000
B	31,000
L	86,000
A	25,500
J	64,000
A1	11,000
A2	15,000
N	12,000
U	33,300
Q	M6x1

**WEIGHT, KG** 0,600

Bearing UC202

Housing F204

**MANUFACTURER** [SLB](#)

#### INTERCHANGE

ABC	<a href="#">UCF202</a>
ASAHI	<a href="#">UCF 202</a>
SNR	<a href="#">UCF202</a>
FYH	<a href="#">UCF202</a>
NTN	<a href="#">UCF 202 D1</a>