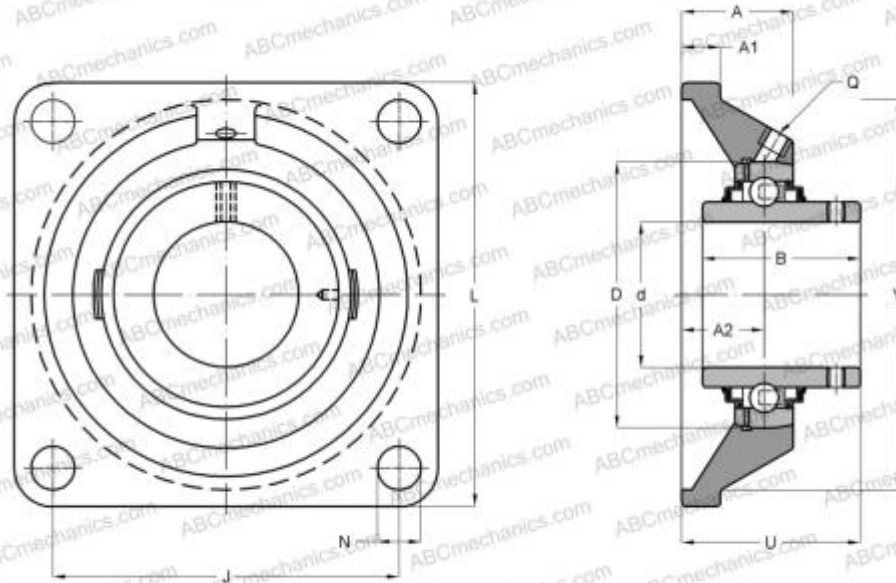


UCF 217 SLB

Ball bearing units

TYPE: Housing units, Four-bolt flanged housing units, Cast iron housing, Radial insert ball bearing with grub screws in inner ring, With inner ring extended on both sides



Technical specification

DIMENSIONS, MM

d	85,000
D	150,000
B	85,700
L	220,000
A	63,000
J	175,000
A1	24,000
A2	36,000
N	23,000
U	87,600
Q	M10x1

WEIGHT, KG

Housing	8,800
Bearing	UC217

Housing

F217

MANUFACTURER

[SLB](#)

INTERCHANGE

ABC	UCF217
ASAHI	UCF 217
SNR	UCF217
FYH	UCF217
NTN	UCF 217 D1
ABC	UCF218
SNR	UCF218
ASAHI	UCF 218
SLB	UCF 218
FYH	UCF218
NTN	UCF 218 D1