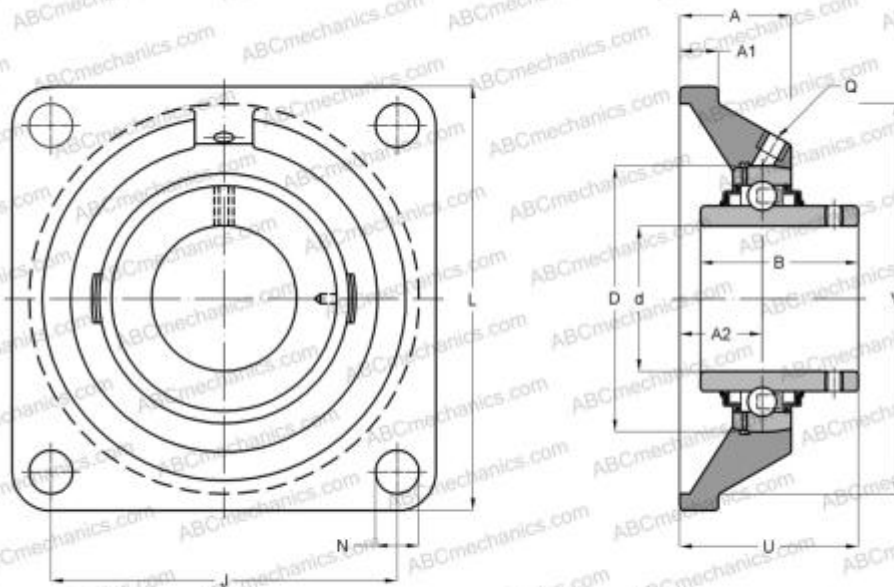


UCF217 FYH

Ball bearing units

TYPE: Housing units, Four-bolt flanged housing units, Cast iron housing, Radial insert ball bearing with grub screws in inner ring, With inner ring extended on both sides



Technical specification

DIMENSIONS, MM

d	85,000
D	150,000
B	85,700
L	220,000
A	63,000
J	175,000
A1	24,000
A2	36,000
N	23,000
U	87,600
Q	M10x1

WEIGHT, KG

Housing	8,800
Bearing	UC217

Housing F217

MANUFACTURER

[FYH](#)

INTERCHANGE

ABC	UCF217
ASAHI	UCF 217
SNR	UCF217
SLB	UCF 217
NTN	UCF 217 D1
ABC	UCF218
SNR	UCF218
ASAHI	UCF 218
SLB	UCF 218
FYH	UCF218
NTN	UCF 218 D1