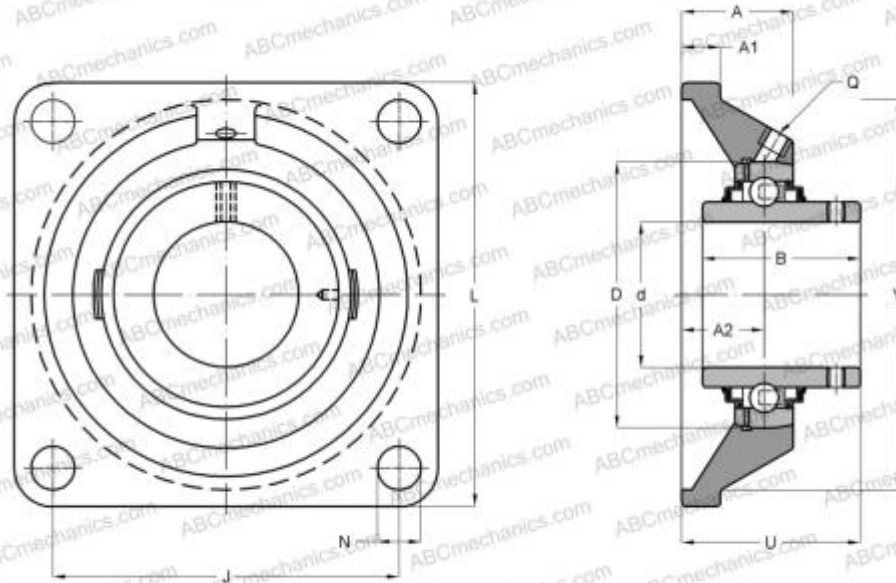


UCF 218 SLB

Ball bearing units

TYPE: Housing units, Four-bolt flanged housing units, Cast iron housing, Radial insert ball bearing with grub screws in inner ring, With inner ring extended on both sides



Technical specification

DIMENSIONS, MM

d	90,000
D	160,000
B	96,000
L	235,000
A	68,000
J	187,000
A1	25,000
A2	40,000
N	23,000
U	96,300
Q	M10x1

WEIGHT, KG

Bearing	UC218	11,600
---------	-------	--------

Housing F218

MANUFACTURER

[SLB](#)

INTERCHANGE

ABC	UCF218
ASAHI	UCF 217
SNR	UCF218
ASAHI	UCF 218
FYH	UCF218
NTN	UCF 218 D1
ABC	UCF217
SNR	UCF217
SLB	UCF 217
FYH	UCF217
NTN	UCF 217 D1