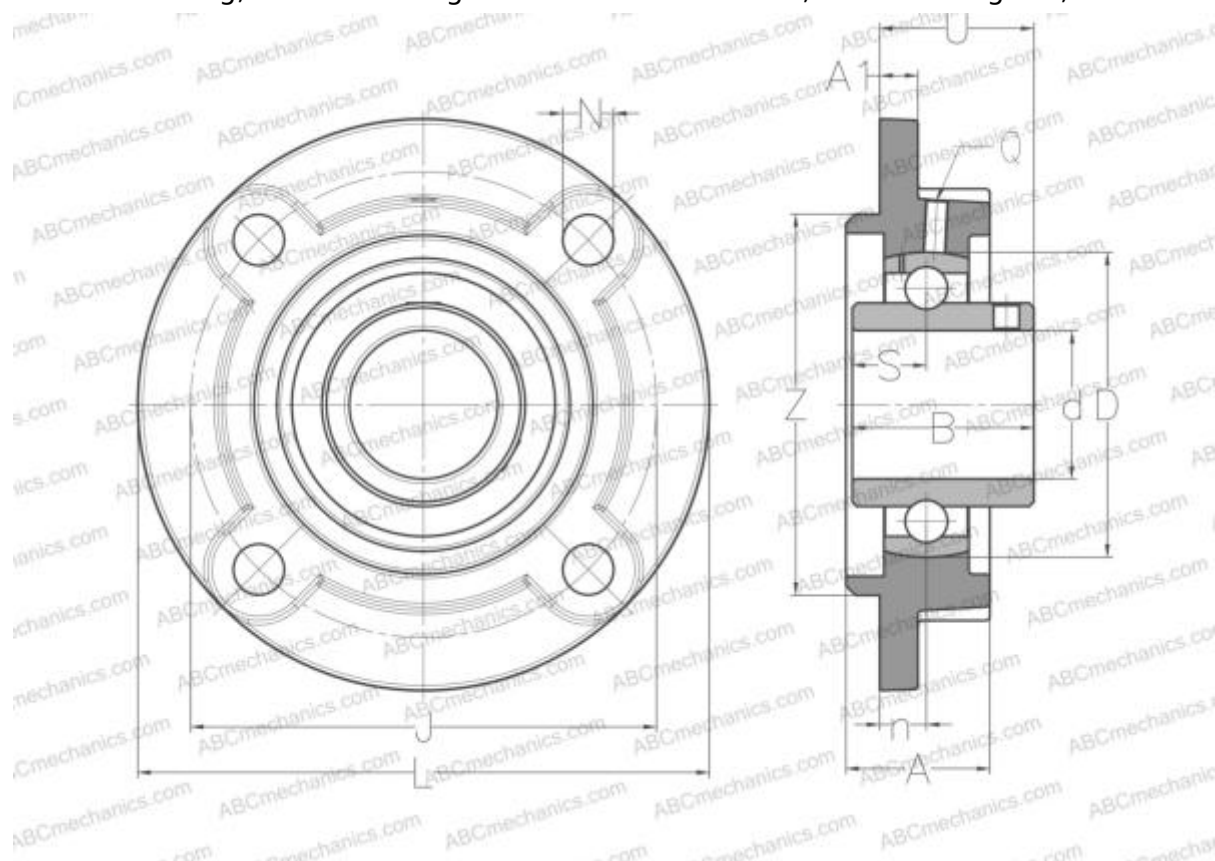


UCFC 202 D1 NTN

Ball bearing units

TYPE: Housing units, Four-bolt flanged housing units, Cast iron housing, Radial insert ball bearing with grub screws in inner ring, With inner ring extended on both sides, with centring rim, round flanged



Technical specification

DIMENSIONS, MM

d	15,000
D	47,000
B	31,000
H	100,000
A	25,500
J	78,000
A1	6,000
N	12,000
S	12,700
U	28,300
Z	62,000
n	10,000
Q	M6x1

Bearing	UC202
Housing	FC204

MANUFACTURER

[NTN](#)

INTERCHANGE

ABC	UCFC202
ASAHI	UCFC 202
SNR	UCFC202
SLB	UCFC 202
FYH	UCFC 202

WEIGHT, KG	0,700
-------------------	-------