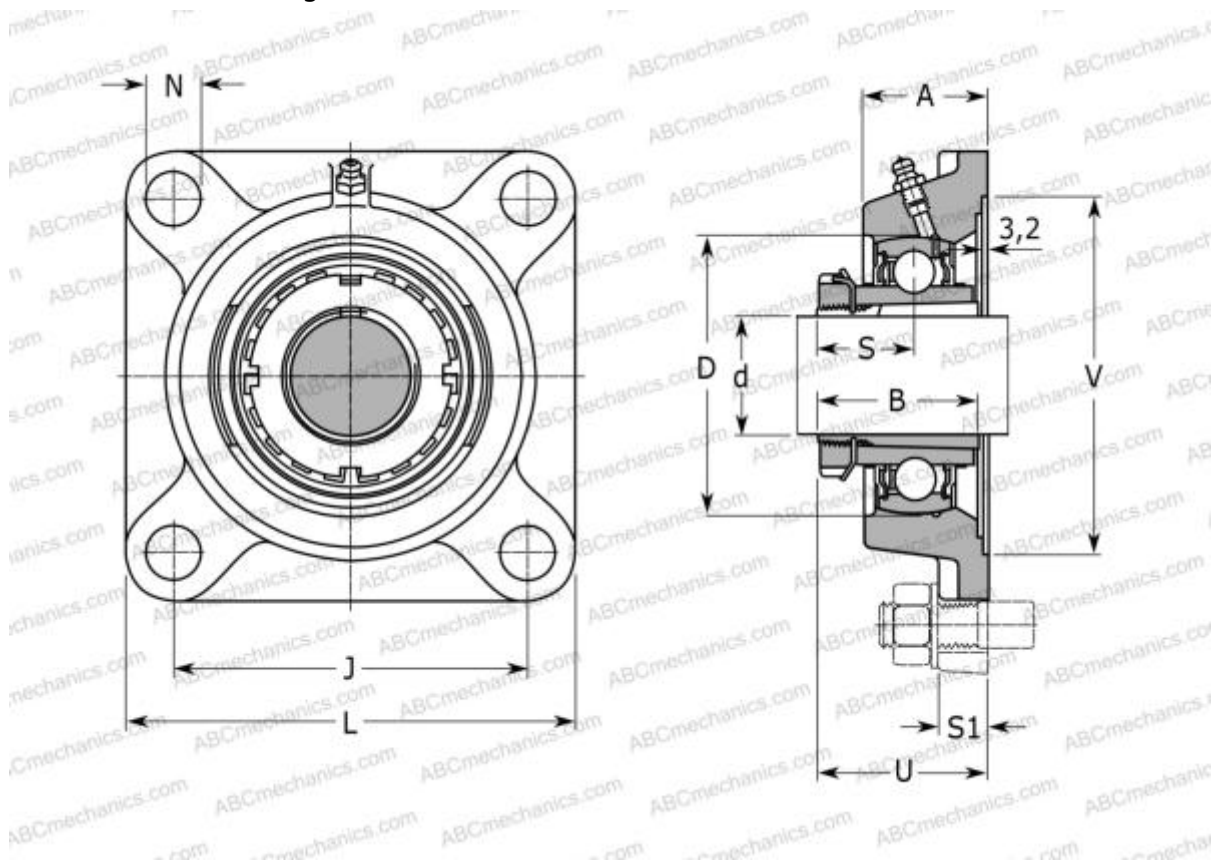


UKF 206 SLB

Ball bearing units

TYPE: Housing units, Four-bolt flanged housing units, Cast iron housing, Radial insert ball bearing with adapter sleeve, With inner ring extended on both sides



Technical specification

DIMENSIONS, MM

d	25,000
D	62,000
B	38,000
L	108,000
A	31,000
J	83,000
A1	13,000
A2	18,000
N	12,000
d3	45,000
U	38,500
Q	M6x1

WEIGHT, KG 1,200

Bearing	UK206 +
Housing	F206
Adapter sleeve	H2306

MANUFACTURER

[SLB](#)

INTERCHANGE

ABC	UKF206H
ASAHI	UKF 206 + H2306
SNR	UKF206H
FYH	UKF206
NTN	UKF 206 D1