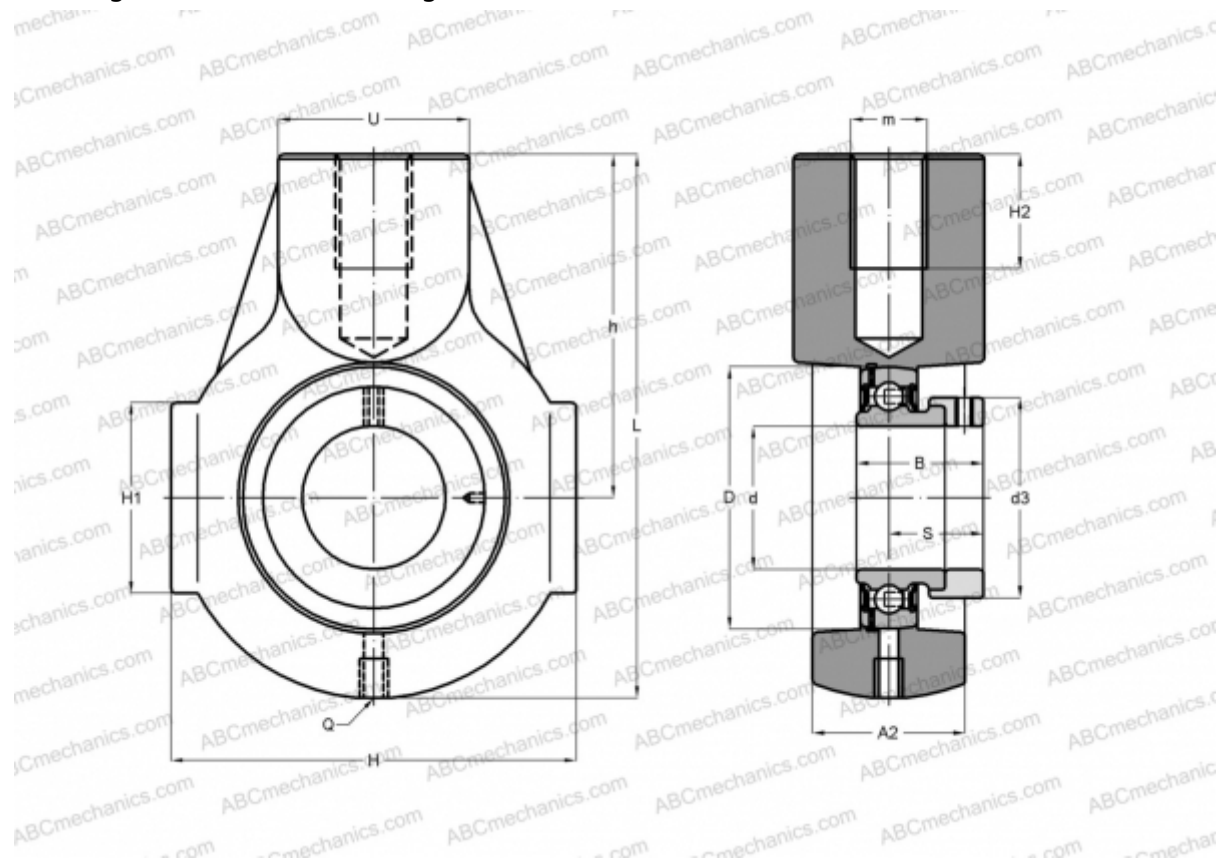


SAHA204 SLB

Ball bearing units

TYPE: Housing units, Take-up housing units, Cast iron housing, Radial insert ball bearing with eccentric locking collar, With inner ring extended at one side, bracket



Technical specification

DIMENSIONS, MM

d	20,000
D	47,000
B	30,900
L	91,000
H	65,000
H2	21,000
A2	25,000
H1	38,000
S	7,500
d3	33,300
U	30,000
h	58,000
m	M16
Q	R1/8"

WEIGHT, KG

	0,700
Bearing	ES204
Housing	EHE204

MANUFACTURER

[SLB](#)

INTERCHANGE

ABC	ESEHE204
INA	PHE20
SNR	ESEHE204