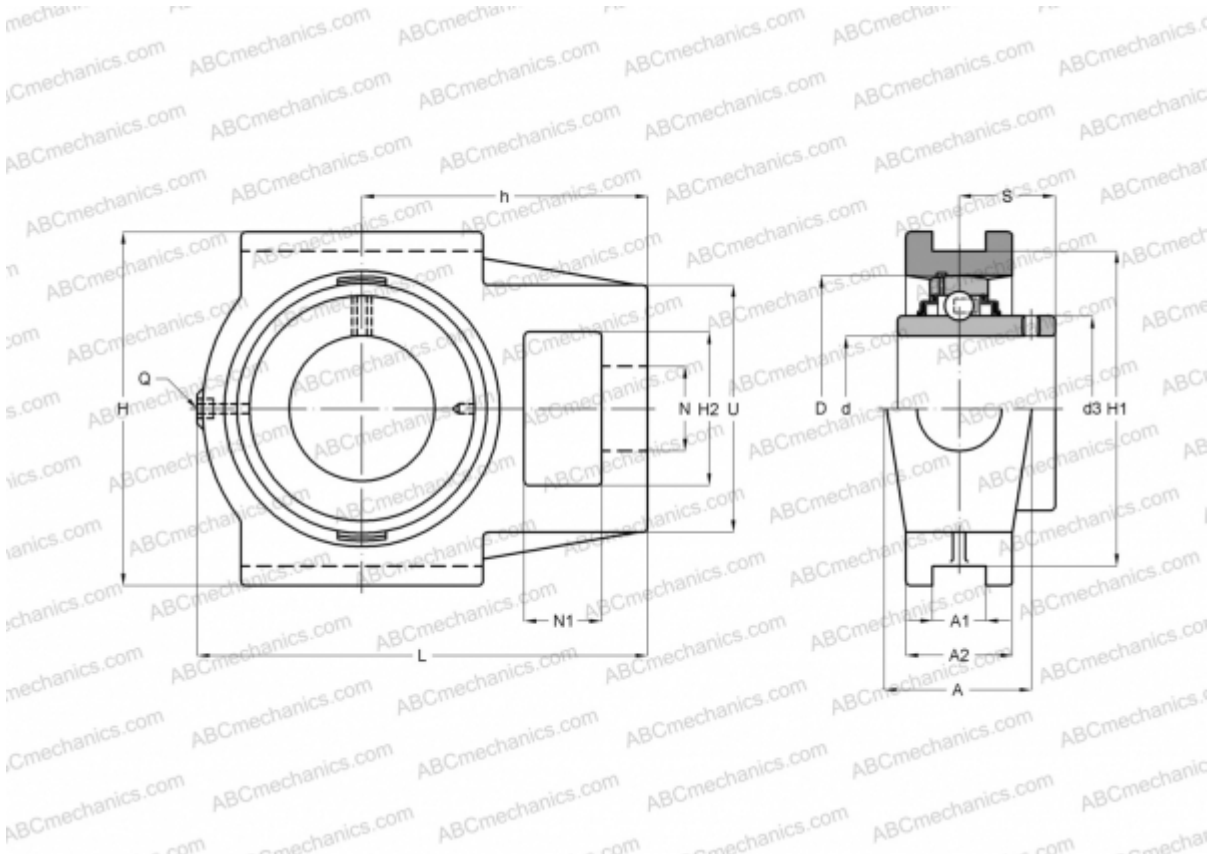


UCT201 FYH

Ball bearing units

TYPE: Housing units, Take-up housing units, Cast iron housing, Radial insert ball bearing with grub screws in inner ring, With inner ring extended on both sides, for tensioning frame



Technical specification

DIMENSIONS, MM

| | |
|----|--------|
| d | 12,000 |
| D | 47,000 |
| B | 31,000 |
| L | 94,000 |
| H | 89,000 |
| A | 32,000 |
| H2 | 32,000 |
| A1 | 12,000 |
| A2 | 21,000 |
| H1 | 76,000 |
| N | 19,000 |
| N1 | 16,000 |
| S | 18,300 |
| U | 51,000 |
| h | 61,000 |

DIMENSIONS, MM

| | |
|---|------|
| Q | M6x1 |
|---|------|

WEIGHT, KG

| | |
|---------|-------|
| Bearing | UC201 |
| Housing | T204 |

MANUFACTURER

[FYH](#)

INTERCHANGE

| | |
|-------|----------------------------|
| ABC | UCT201 |
| ASAHI | UCT 201 |
| SNR | UCT201 |
| SLB | UCT201 |
| NTN | UCT 201 D1 |