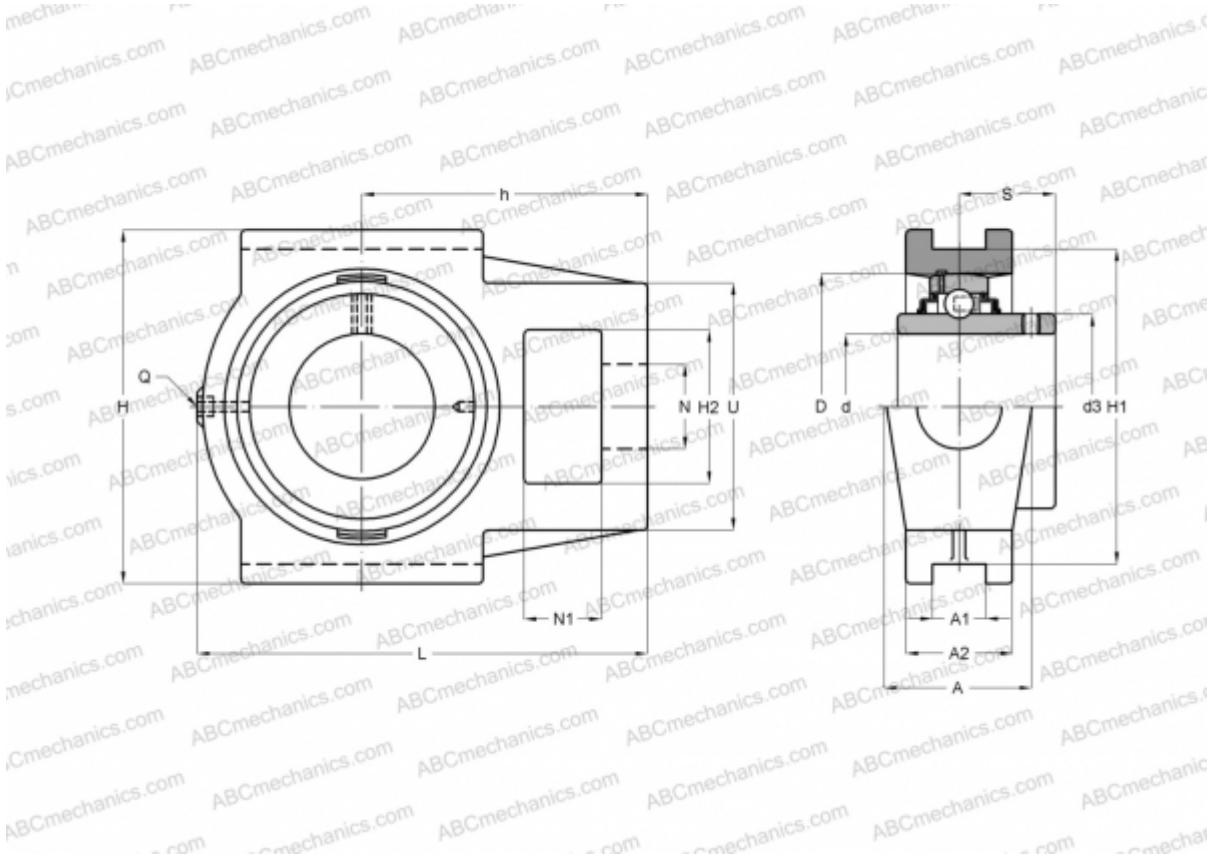


## UCT 202 D1 NTN

Ball bearing units

TYPE: Housing units, Take-up housing units, Cast iron housing, Radial insert ball bearing with grub screws in inner ring, With inner ring extended on both sides, for tensioning frame



### Technical specification

#### DIMENSIONS, MM

d	15,000
D	47,000
B	31,000
L	94,000
H	89,000
A	32,000
H2	32,000
A1	12,000
A2	21,000
H1	76,000
N	19,000
N1	16,000
S	18,300
U	51,000
h	61,000

#### DIMENSIONS, MM

Q	M6x1
---	------

#### WEIGHT, KG

Bearing	UC202
Housing	T204

#### MANUFACTURER

[NTN](#)

#### INTERCHANGE

ABC	<a href="#">UCT202</a>
ASAHI	<a href="#">UCT 202</a>
SNR	<a href="#">UCT202</a>
SLB	<a href="#">UCT202</a>
FYH	<a href="#">UCT202</a>