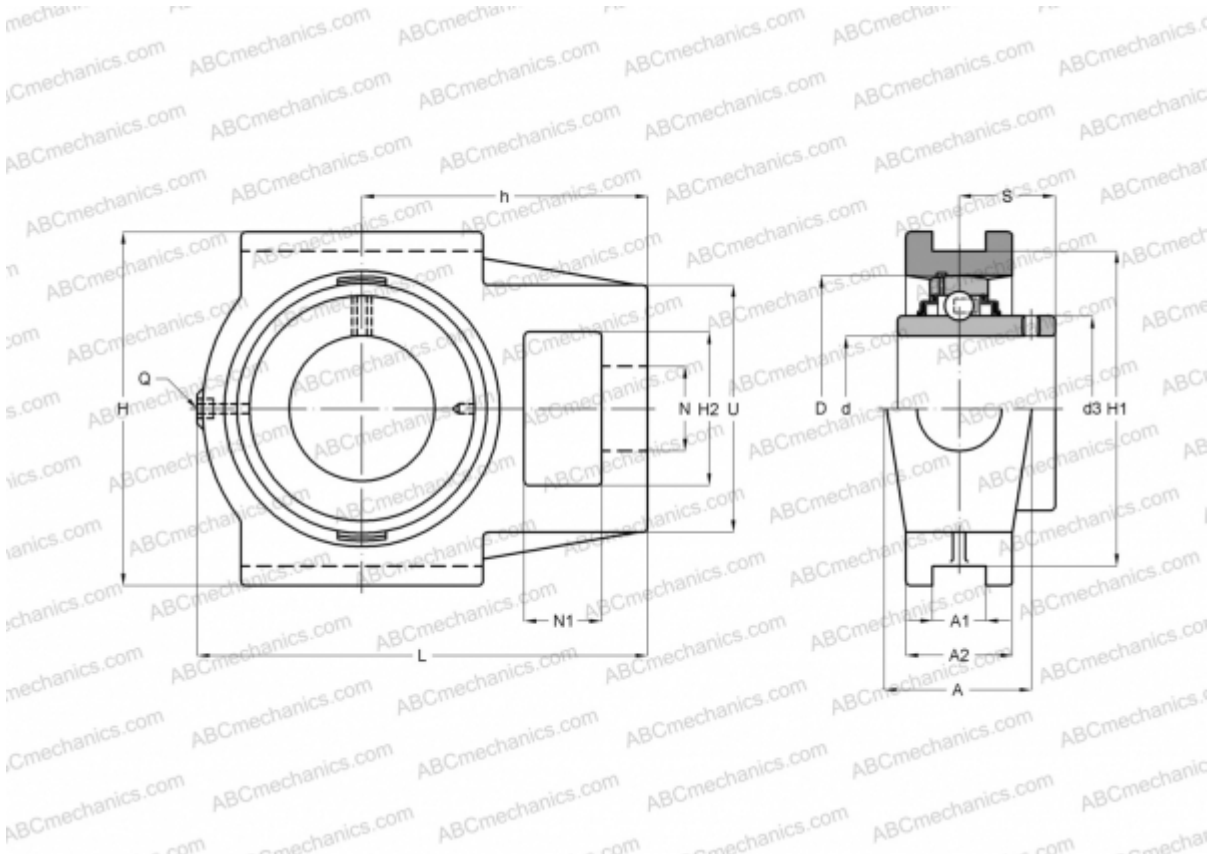


UCT 207 SLB

Ball bearing units

TYPE: Housing units, Take-up housing units, Cast iron housing, Radial insert ball bearing with grub screws in inner ring, With inner ring extended on both sides, for tensioning frame



Technical specification

DIMENSIONS, MM

d	35,000
D	72,000
B	42,900
L	129,000
H	102,000
A	37,000
H2	37,000
A1	12,000
A2	30,000
H1	89,000
N	22,000
N1	16,000
S	25,400
U	64,000
h	78,000

DIMENSIONS, MM

Q	M6x1
---	------

WEIGHT

Bearing	UC207
Housing	T207

MANUFACTURER

[SLB](#)

INTERCHANGE

ABC	UCT207
INA	RTUEY35
ASAHI	UCT 207
SKF	TUJ 35 TF
SNR	UCT207
FYH	UCT207



INTERCHANGE

NTN

[UCT 207 D1](#)

