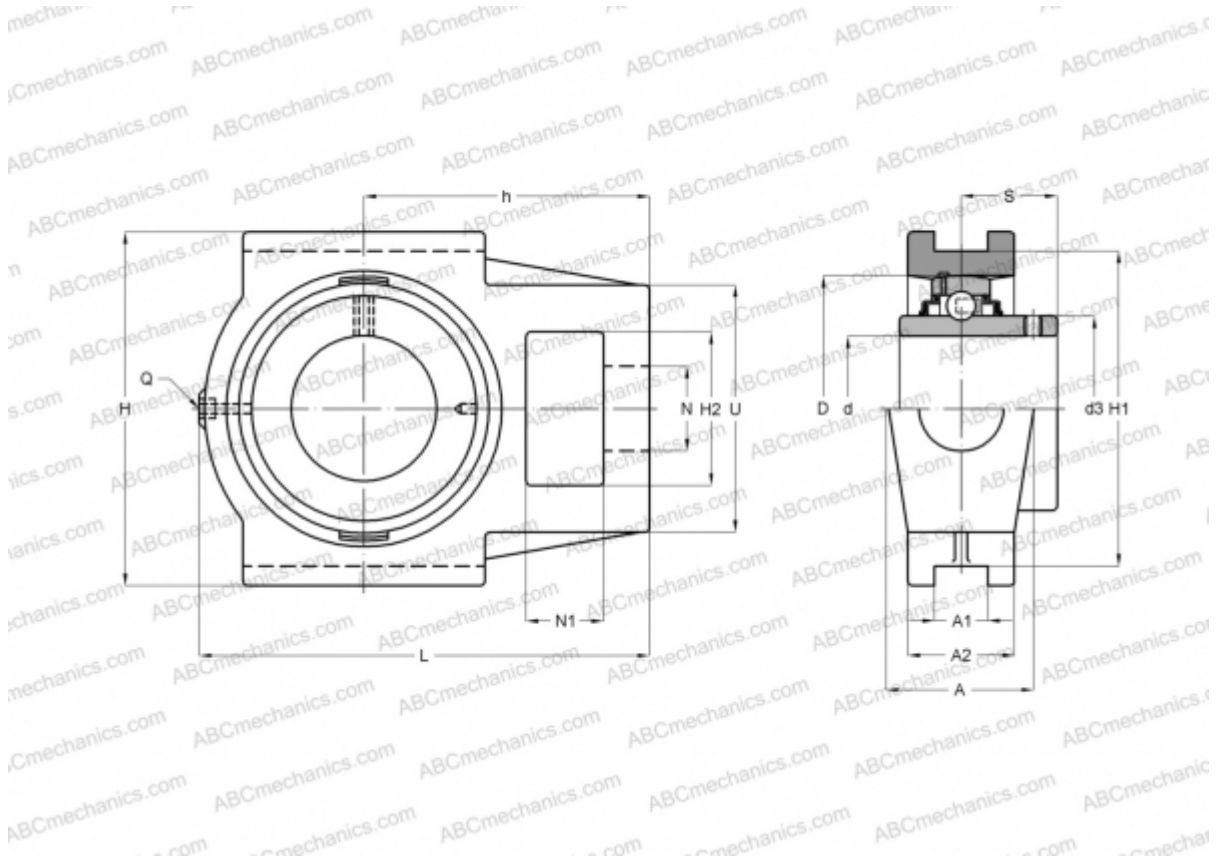


## UCT207 FYH

Ball bearing units

TYPE: Housing units, Take-up housing units, Cast iron housing, Radial insert ball bearing with grub screws in inner ring, With inner ring extended on both sides, for tensioning frame



### Technical specification

#### DIMENSIONS, MM

d	35,000
D	72,000
B	42,900
L	129,000
H	102,000
A	37,000
H2	37,000
A1	12,000
A2	30,000
H1	89,000
N	22,000
N1	16,000
S	25,400
U	64,000
h	78,000

#### DIMENSIONS, MM

Q	M6x1
<b>WEIGHT</b>	1,600
Bearing	UC207
Housing	T207

#### MANUFACTURER

[FYH](#)

#### INTERCHANGE

ABC	<a href="#">UCT207</a>
INA	<a href="#">RTUEY35</a>
ASAHI	<a href="#">UCT 207</a>
SKF	<a href="#">TUJ 35 TF</a>
SNR	<a href="#">UCT207</a>
SLB	<a href="#">UCT 207</a>



**INTERCHANGE**

NTN

[UCT 207 D1](#)

