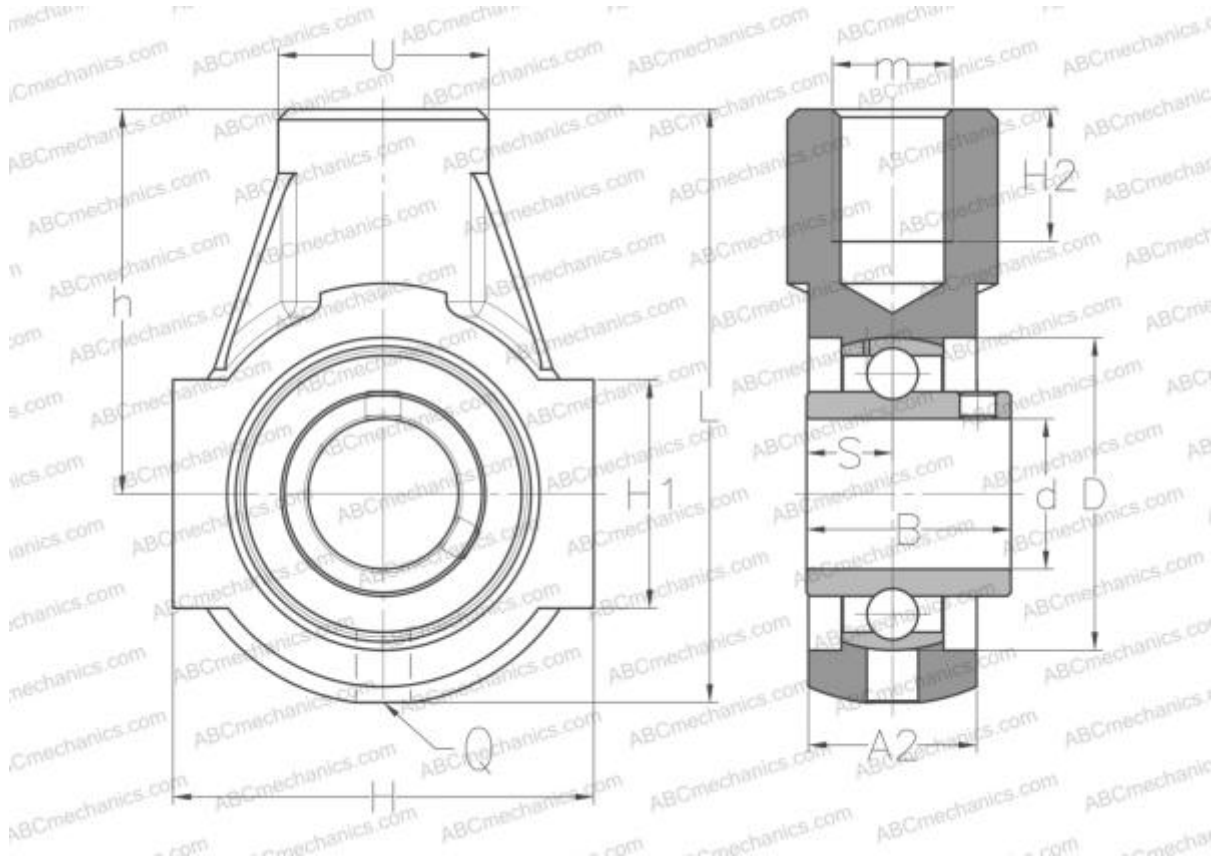


UCHA202 SLB

Ball bearing units

TYPE: Housing units, Take-up housing units, Cast iron housing, Radial insert ball bearing with grub screws in inner ring, With inner ring extended on both sides, bracket



Technical specification

DIMENSIONS, MM

| | |
|----|--------|
| d | 15,000 |
| D | 47,000 |
| B | 31,000 |
| L | 91,000 |
| H | 65,000 |
| H2 | 21,000 |
| A2 | 25,000 |
| H1 | 38,000 |
| S | 12,700 |
| U | 30,000 |
| h | 58,000 |
| m | M16 |
| Q | R1/8" |

| | |
|---------|--------|
| Bearing | UC202 |
| Housing | EHE204 |

MANUFACTURER

[SLB](#)

INTERCHANGE

| | |
|-----|-----------------------------|
| ABC | UCEHE202 |
| SNR | UCEHE202 |
| FYH | UCHA202 |
| NTN | UCHB 202 D1 |

WEIGHT, KG 0,800