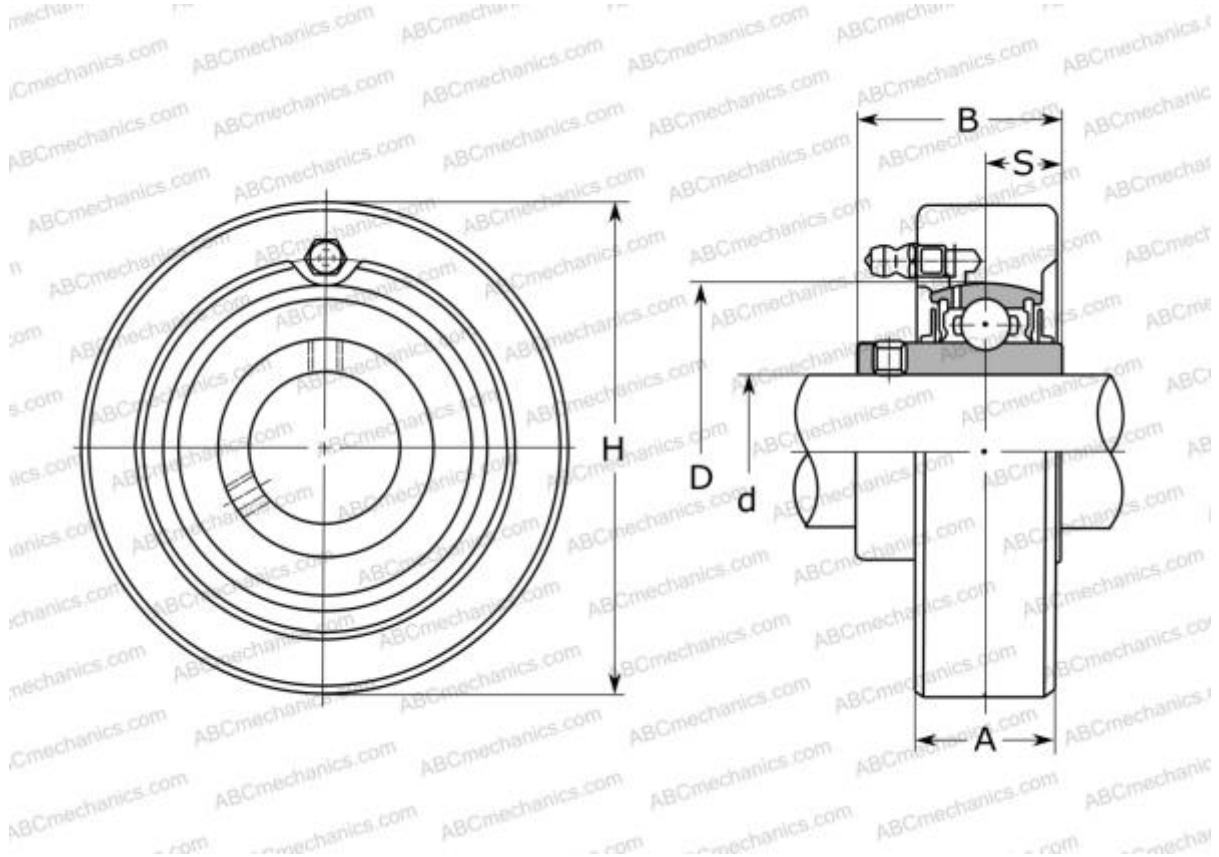


UCC 202 D1 NTN

Ball bearing units

TYPE: Housing units, Cartridge units, Cast iron housing, Radial insert ball bearing with grub screws in inner ring, With inner ring extended on both sides



Technical specification

DIMENSIONS, MM

d	15,000
D	47,000
B	31,000
H	72,000
A	20,000
S	12,700
Q	M6x1

WEIGHT, KG

	0,500
Bearing	UC202
Housing	C204

MANUFACTURER

[NTN](#)

INTERCHANGE

ABC	UCC202
ASAHI	UCC 202
SNR	UCC202
SLB	UCC 202
FYH	UCC202