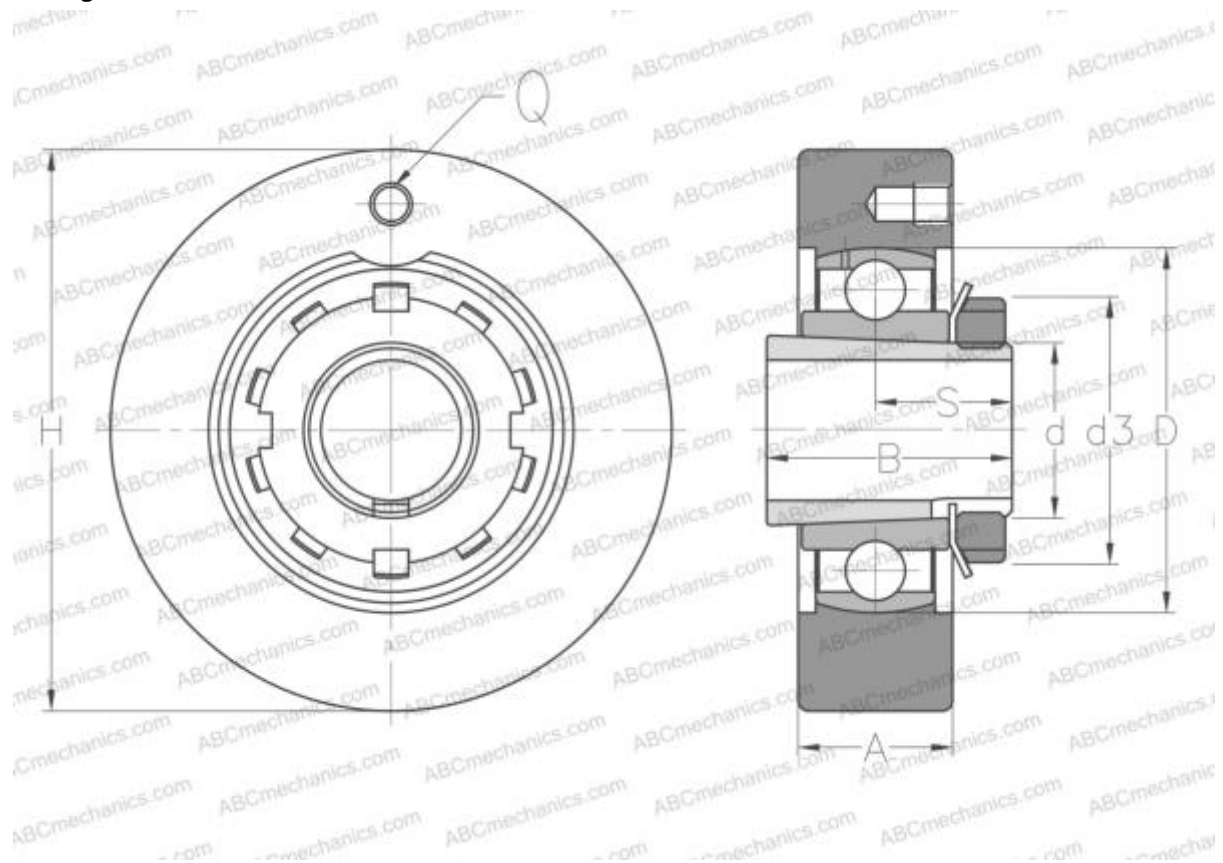


UKC 205 D1 NTN

Ball bearing units

TYPE: Housing units, Cartridge units, Cast iron housing, Radial insert ball bearing with adapter sleeve, With inner ring extended on both sides



Technical specification

DIMENSIONS, MM

d	20,000
D	52,000
B	35,000
H	80,000
A	22,000
S	18,500
d3	38,000
Q	M6x1

WEIGHT, KG

0,700

Bearing	UK205 +
Housing	C205
Adapter sleeve	H2305

MANUFACTURER

[NTN](#)

INTERCHANGE

ABC	UKC205H
SNR	UKC205H
SLB	UKC 205
FYH	UKC 205