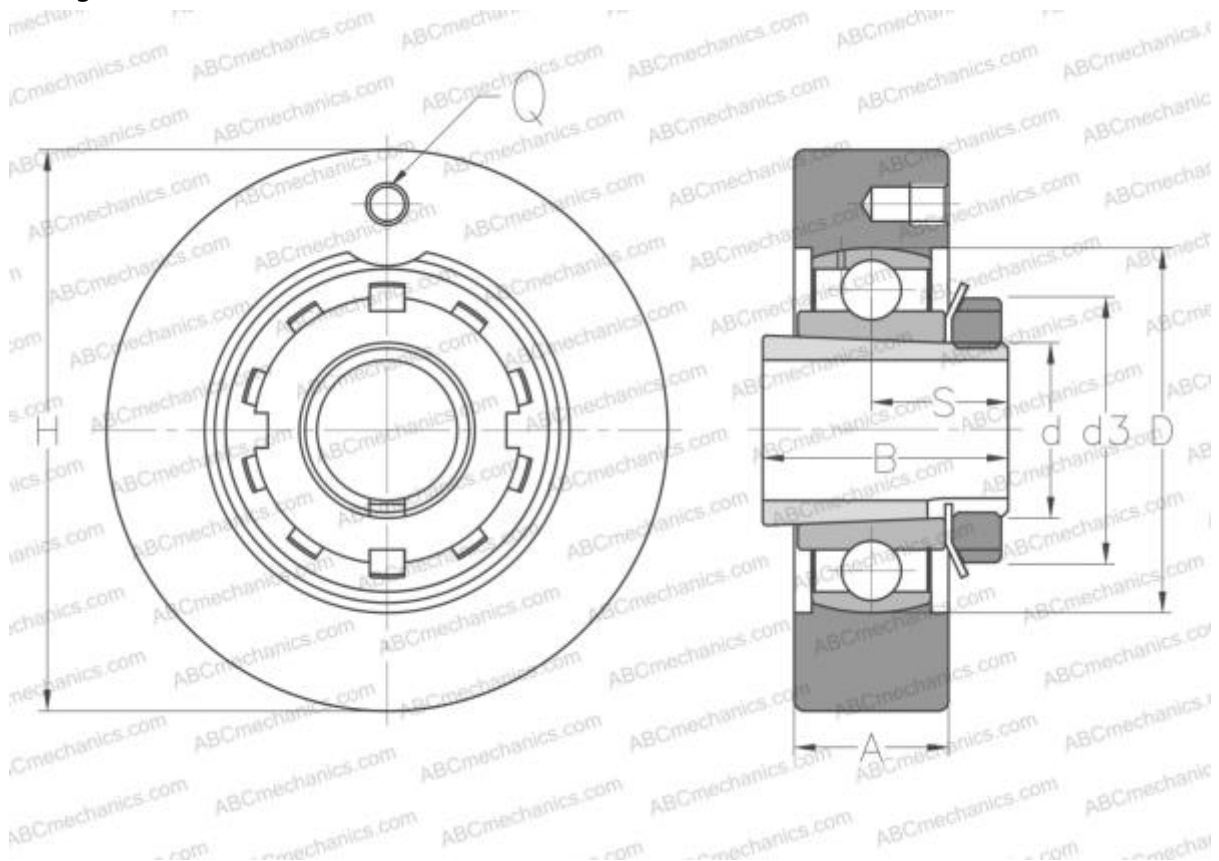


UKC 206 D1 NTN

Ball bearing units

TYPE: Housing units, Cartridge units, Cast iron housing, Radial insert ball bearing with adapter sleeve, With inner ring extended on both sides



Technical specification

DIMENSIONS, MM

d	25,000
D	62,000
B	38,000
H	85,000
A	27,000
d3	45,000
Q	M6x1

WEIGHT, KG

1,000

Bearing	UK206 +
Housing	C206
Adapter sleeve	H2306

MANUFACTURER

[NTN](#)

INTERCHANGE

ABC	UKC206H
SNR	UKC206H
SLB	UKC 206
FYH	UKC 206