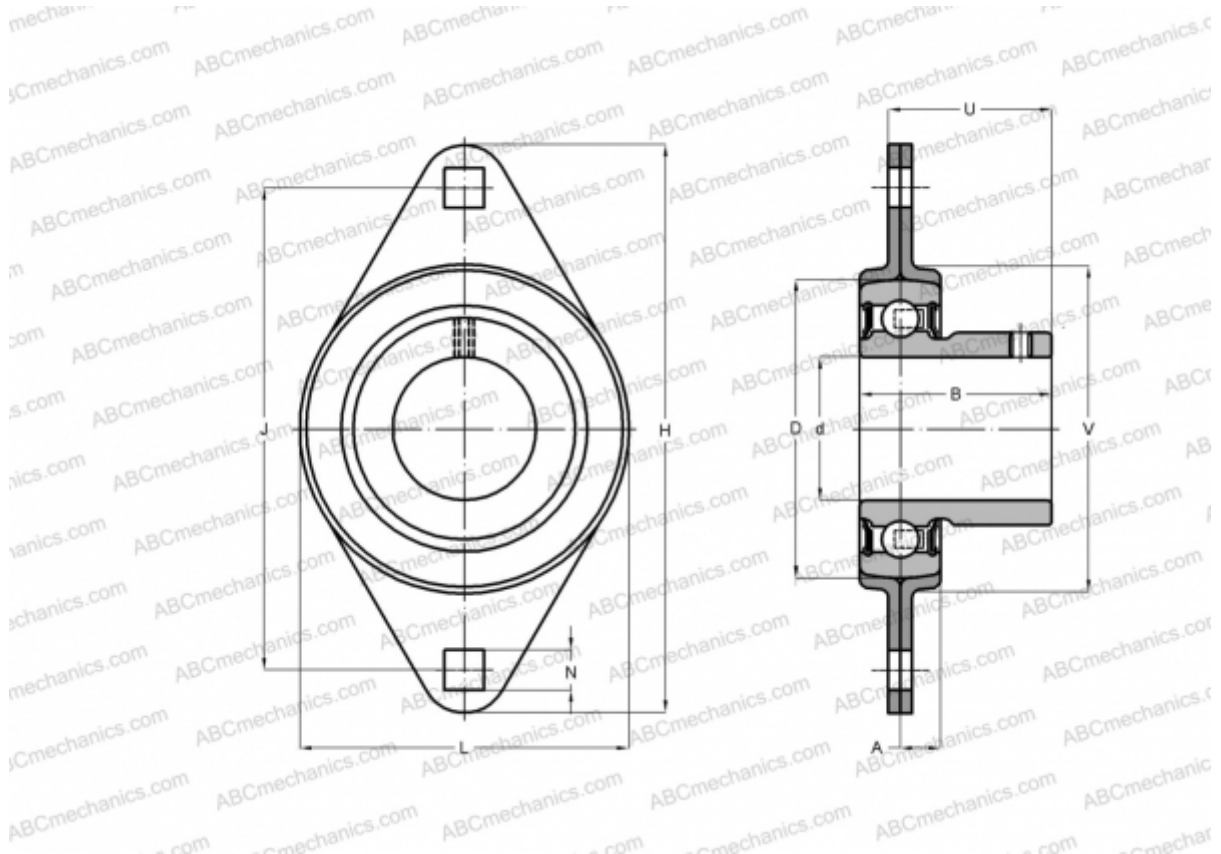


RATY30 INA

Ball bearing units

TYPE: Housing units, Two-bolt flanged housing units, Sheet steel housing, Radial insert ball bearing with grub screws in inner ring, Type RATY (INA)



Technical specification

DIMENSIONS, MM

d	30,000
D	62,000
B	30,000
L	84,000
H	112,700
A	8,700
J	90,500
N	10,500
U	23,500
V	71,000

MANUFACTURER

[INA](#)

INTERCHANGE

INA FLAN62-MST x 2 + AY30-NPP-B

WEIGHT, KG

0,410

Bearing	AY30-NPP-B
Housing	FLAN62-MST x